

LM3478 High-Efficiency Low-Side N-Channel Controller for Switching Regulator

1 Features

- 8-lead VSSOP-8 and SOIC-8 packages
- Internal Push-Pull Driver With 1-A Peak Current Capability
- Current Limit and Thermal Shutdown
- Frequency Compensation Optimized With a Capacitor and a Resistor
- Internal Soft Start
- Current Mode Operation
- Undervoltage Lockout With Hysteresis
- Create a Custom Design Using the LM3478 with the [WEBENCH Power Designer](#)

2 Applications

- Distributed Power Systems
- Battery Chargers
- Offline Power Supplies
- Telecom Power Supplies
- Automotive Power Systems
- Wide Supply Voltage Range of 2.97 V to 40 V
- 100-kHz to 1-MHz Adjustable Clock Frequency
- $\pm 2.5\%$ (Over Temperature) Internal Reference
- 10- μ A Shutdown Current (Over Temperature)

3 Description

The LM3478 is a versatile Low-Side N-Channel MOSFET controller for switching regulators. It is suitable for use in topologies requiring a low side MOSFET, such as boost, flyback, SEPIC, etc. Moreover, the LM3478 can be operated at extremely high switching frequency in order to reduce the overall solution size. The switching frequency of the LM3478 can be adjusted to any value between 100 kHz and 1 MHz by using a single external resistor. Current mode control provides superior bandwidth and transient response, besides cycle-by-cycle current limiting. Output current can be programmed with a single external resistor.

The LM3478 has built-in features such as thermal shutdown, short-circuit protection, over voltage protection, etc. Power saving shutdown mode reduces the total supply current to 5 μ A and allows power supply sequencing. Internal soft-start limits the inrush current at start-up.

Device Information⁽¹⁾

PART NUMBER	PACKAGE	BODY SIZE (NOM)
LM3478	SOIC (8)	4.90 mm x 3.91 mm
	VSSOP (8)	3.00 mm x 3.00 mm

(1) For all available packages, see the orderable addendum at the end of the datasheet.

Typical High Efficiency Step-Up (Boost) Converter

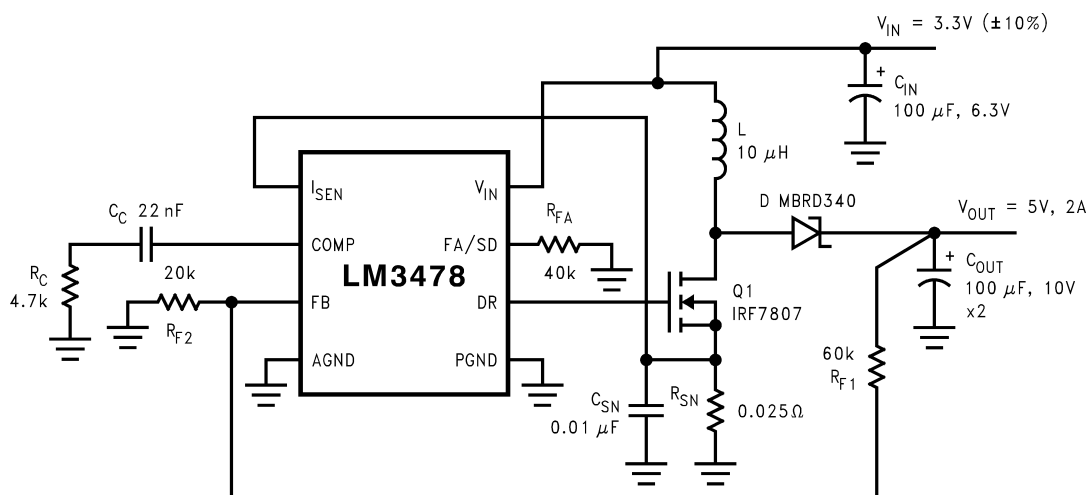


Table of Contents

1	Features	1	8	Application and Implementation	16
2	Applications	1	8.1	Application Information.....	16
3	Description	1	8.2	Typical Applications	16
4	Revision History	2	9	Power Supply Recommendations	28
5	Pin Configuration and Functions	3	10	Layout	28
6	Specifications	4	10.1	Layout Guidelines	28
6.1	Absolute Maximum Ratings	4	10.2	Layout Example	29
6.2	ESD Ratings - LM3478	4	11	Device and Documentation Support	30
6.3	Recommended Operating Conditions.....	4	11.1	Custom Design with WEBENCH Tools.....	30
6.4	Thermal Information	5	11.2	Receiving Notification of Documentation Updates	30
6.5	Electrical Characteristics.....	5	11.3	Documentation Support	30
6.6	Typical Characteristics	7	11.4	Related Links	30
7	Detailed Description	11	11.5	Trademarks	30
7.1	Overview	11	11.6	Electrostatic Discharge Caution.....	30
7.2	Functional Block Diagram	12	11.7	Glossary	30
7.3	Feature Description.....	12	12	Mechanical, Packaging, and Orderable Information	31
7.4	Device Functional Modes.....	15			

4 Revision History

NOTE: Page numbers for previous revisions may differ from page numbers in the current version.

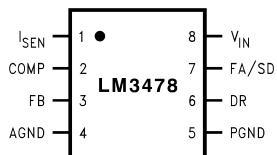
Changes from Revision W (December 2014) to Revision X	Page
• Deleted LM3478Q-Q1 device. See LM3478Q-Q1 data sheet	1
• Changed package from "DCK" to "DGK" for LM3478 and LM3478-Q1 devices in the <i>Thermal Information</i> table; changed pin complement from "3" to "8" for the D, and DGK packages	5
• Changed $R_{\theta JA}$ for the D package from "157.2" to "105.3" °C/W.....	5
• Changed $R_{\theta JC(top)}$ for the D package from "49.9" to "50.3" °C/W.....	5
• Changed $R_{\theta JB}$ for the D package from "77.1" to "55.8" °C/W.....	5
• Changed ψ_{JT} for the D package from "4.7" to "6.8" °C/W	5
• Changed ψ_{JB} for the D package from "75.8" to "54.7" °C/W	5

Changes from Revision V (February 2013) to Revision W	Page
• Added <i>ESD Ratings</i> table, <i>Feature Description</i> section, <i>Device Functional Modes</i> , <i>Application and Implementation</i> section, <i>Power Supply Recommendations</i> section, <i>Layout</i> section, <i>Device and Documentation Support</i> section, and <i>Mechanical, Packaging, and Orderable Information</i> section	4
• Deleted Thermal Resistance parameter from <i>Electrical Characteristics</i>	6

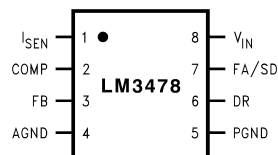
Changes from Revision U (February 2013) to Revision V	Page
--	-------------

5 Pin Configuration and Functions

**8-Lead VSSOP-8 Package
3 Pins
Top View**



**8-Lead SOIC-8
3 Pins
Top View**



Pin Functions

PIN		I/O	DESCRIPTION
NAME	NO.		
I_{SEN}	1	I	Current sense input pin. Voltage generated across an external sense resistor is fed into this pin.
COMP	2	I	Compensation pin. A resistor, capacitor combination connected to this pin provides compensation for the control loop.
FB	3	I	Feedback pin. The output voltage should be adjusted using a resistor divider to provide 1.26 V at this pin.
AGND	4	G	Analog ground pin.
PGND	5	G	Power ground pin.
DR	6	O	Drive pin. The gate of the external MOSFET should be connected to this pin.
FA/SD	7	I	Frequency adjust and Shutdown pin. A resistor connected to this pin sets the oscillator frequency. A high level on this pin for longer than 30 μ s will turn the device off. The device will then draw less than 10 μ A from the supply.
V_{IN}	8	P	Power Supply Input pin.

6 Specifications

6.1 Absolute Maximum Ratings

 over operating free-air temperature (unless otherwise noted) ⁽¹⁾

		MIN	MAX	UNIT
Input Voltage			45	V
FB Pin Voltage		$-0.4 < V$	$V_{FB} < 7$	V
FA/SD Pin Voltage		$-0.4 < V_{FA/SD}$	$V_{FA/SD} < 7$	V
Peak Driver Output Current (<10µs)			1	A
Power Dissipation		Internally Limited		
Junction Temperature			+150	°C
Lead Temperature	Vapor Phase (60 s)		215	°C
	Infrared (15 s)		260	°C
DR Pin Voltage		$-0.4 \leq VDR$	$VDR \leq 8$	V
I _{SEN} Pin Voltage			500	mV
T _{stg}	Storage temperature	-65	150	°C

- (1) Stresses beyond those listed under *Absolute Maximum Ratings* may cause permanent damage to the device. These are stress ratings only, which do not imply functional operation of the device at these or any other conditions beyond those indicated under *Recommended Operating Conditions*. Exposure to absolute-maximum-rated conditions for extended periods may affect device reliability.

6.2 ESD Ratings - LM3478

		VALUE	UNIT
V _(ESD) Electrostatic discharge	Human body model (HBM), per ANSI/ESDA/JEDEC JS-001, all pins ⁽¹⁾	±2000	V
	Charged device model (CDM), per JEDEC specification JESD22-C101, all pins ⁽²⁾	±750	

- (1) JEDEC document JEP155 states that 500-V HBM allows safe manufacturing with a standard ESD control process.

- (2) JEDEC document JEP157 states that 250-V CDM allows safe manufacturing with a standard ESD control process.

6.3 Recommended Operating Conditions

over operating free-air temperature range (unless otherwise noted)

	MIN	NOM	MAX	UNIT
Supply Voltage	$2.97 \leq V_{IN}$		$V_{IN} \leq 40$	V
Junction Temperature Range	$-40 \leq T_J$		$T_J \leq +125$	°C
Switching Frequency	$100 \leq F_{SW}$		$F_{SW} \leq 1$	MHz

6.4 Thermal Information

THERMAL METRIC ⁽¹⁾	LM3478		UNIT
	D	DGK	
	8 PINS	8 PINS	
R _{θJA}	Junction-to-ambient thermal resistance		°C/W
R _{θJC(top)}	Junction-to-case (top) thermal resistance		°C/W
R _{θJB}	Junction-to-board thermal resistance		°C/W
ψ _{JT}	Junction-to-top characterization parameter		°C/W
ψ _{JB}	Junction-to-board characterization parameter		°C/W
R _{θJC(bot)}	Junction-to-case (bottom) thermal resistance		°C/W

(1) For more information about traditional and new thermal metrics, see the *IC Package Thermal Metrics* application report, [SPRA953](#).

6.5 Electrical Characteristics

Unless otherwise specified, V_{IN} = 12V, R_{FA} = 40kΩ, T_J = 25°C

PARAMETER	TEST CONDITIONS	MIN	TYP	MAX	UNIT
V _{FB}	V _{COMP} = 1.4V, 2.97 ≤ V _{IN} ≤ 40V	1.2416	1.26	1.2843	V
	V _{COMP} = 1.4V, 2.97 ≤ V _{IN} ≤ 40V, -40°C ≤ T _J ≤ 125°C	1.228		1.292	
ΔV _{LINE}	Feedback Voltage Line Regulation	2.97 ≤ V _{IN} ≤ 40V		0.001	%/V
ΔV _{LOAD}	Output Voltage Load Regulation	I _{EAO} Source/Sink		±0.5	%/A
V _{UVLO}	Input Undervoltage Lock-out			2.85	V
		-40°C ≤ T _J ≤ 125°C		2.97	
V _{UV(HYS)}	Input Undervoltage Lock-out Hysteresis			170	mV
		-40°C ≤ T _J ≤ 125°C		210	
F _{nom}	Nominal Switching Frequency	R _{FA} = 40KΩ		400	kHz
		R _{FA} = 40KΩ, -40°C ≤ T _J ≤ 125°C		440	
R _{DS1 (ON)}	Driver Switch On Resistance (top)	I _{DR} = 0.2A, V _{IN} = 5V		16	Ω
R _{DS2 (ON)}	Driver Switch On Resistance (bottom)	I _{DR} = 0.2A		4.5	
V _{DR (max)}	Maximum Drive Voltage Swing ⁽¹⁾	V _{IN} < 7.2V		V _{IN}	V
		V _{IN} ≥ 7.2V		7.2	
D _{max}	Maximum Duty Cycle ⁽²⁾			100%	
T _{min (on)}	Minimum On Time			325	ns
		-40°C ≤ T _J ≤ 125°C		210	
I _{SUPPLY}	Supply Current (non-switching)	See ⁽³⁾		2.7	mA
		See ⁽³⁾ , -40°C ≤ T _J ≤ 125°C		3.3	
I _Q	Quiescent Current in Shutdown Mode	V _{FA/SD} = 5V ⁽⁴⁾ , V _{IN} = 5V		5	μA
		V _{FA/SD} = 5V ⁽⁴⁾ , V _{IN} = 5V, -40°C ≤ T _J ≤ 125°C		10	
V _{SENSE}	Current Sense Threshold Voltage	V _{IN} = 5V		135	mV
		V _{IN} = 5V, -40°C ≤ T _J ≤ 125°C		156	
V _{SC}	Short-Circuit Current Limit Sense Voltage	V _{IN} = 5V		180	mV
		V _{IN} = 5V, -40°C ≤ T _J ≤ 125°C		190	
				343	
				250	415

(1) The voltage on the drive pin, V_{DR} is equal to the input voltage when input voltage is less than 7.2 V. V_{DR} is equal to 7.2 V when the input voltage is greater than or equal to 7.2 V.

(2) The limits for the maximum duty cycle can not be specified since the part does not permit less than 100% maximum duty cycle operation.

(3) For this test, the FA/SD pin is pulled to ground using a 40-K resistor.

(4) For this test, the FA/SD pin is pulled to 5 V using a 40-K resistor.

Electrical Characteristics (continued)

 Unless otherwise specified, $V_{IN} = 12V$, $R_{FA} = 40k\Omega$, $T_J = 25^\circ C$

PARAMETER		TEST CONDITIONS	MIN	TYP	MAX	UNIT
V_{SL}	Internal Compensation Ramp Voltage	$V_{IN} = 5V$		92		mV
		$V_{IN} = 5V, -40^\circ C \leq T_J \leq 125^\circ C$	52		132	
V_{SL} ratio	V_{SL}/V_{SENSE}		0.30	0.49	0.70	
V_{OVP}	Output Over-voltage Protection (with respect to feedback voltage) ⁽⁵⁾	$V_{COMP} = 1.4V$	32	50		mV
		$V_{COMP} = 1.4V, -40^\circ C \leq T_J \leq 125^\circ C$	25			
		VSSOP Package			78	
		VSSOP Package, $-40^\circ C \leq T_J \leq 125^\circ C$			85	
		SOIC Package			78	
		SOIC Package, $-40^\circ C \leq T_J \leq 125^\circ C$			100	
$V_{OVP(HYS)}$	Output Over-Voltage Protection Hysteresis ⁽⁵⁾	$V_{COMP} = 1.4V$		60		mV
		$V_{COMP} = 1.4V, -40^\circ C \leq T_J \leq 125^\circ C$	20		110	
G_m	Error Amplifier Transconductance	$V_{COMP} = 1.4V, I_{EAO} = 100\mu A$ (Source/Sink)	600	800	1000	μS
		$V_{COMP} = 1.4V, I_{EAO} = 100\mu A$ (Source/Sink), $-40^\circ C \leq T_J \leq 125^\circ C$	365		1265	
A_{VOL}	Error Amplifier Voltage Gain	$V_{COMP} = 1.4V, I_{EAO} = 100\mu A$ (Source/Sink)		38		V/V
		$V_{COMP} = 1.4V, I_{EAO} = 100\mu A$ (Source/Sink), $-40^\circ C \leq T_J \leq 125^\circ C$	26		44	
I_{EAO}	Error Amplifier Output Current (Source/ Sink)	Source, $V_{COMP} = 1.4V, V_{FB} = 0V$	80	110	140	μA
		Source, $V_{COMP} = 1.4V, V_{FB} = 0V, -40^\circ C \leq T_J \leq 125^\circ C$	50		180	
		Sink, $V_{COMP} = 1.4V, V_{FB} = 1.4V$	-100	-140	-180	μA
		Sink, $V_{COMP} = 1.4V, V_{FB} = 1.4V, -40^\circ C \leq T_J \leq 125^\circ C$	-85		-185	
V_{EAO}	Error Amplifier Output Voltage Swing	Upper Limit, $V_{FB} = 0V$, COMP Pin = Floating		2.2		V
		Upper Limit, $V_{FB} = 0V$, COMP Pin = Floating, $-40^\circ C \leq T_J \leq 125^\circ C$	1.8		2.4	
		Lower Limit, $V_{FB} = 1.4V$		0.56		V
		Lower Limit, $V_{FB} = 1.4V, -40^\circ C \leq T_J \leq 125^\circ C$	0.2		1.0	
T_{SS}	Internal Soft-Start Delay	$V_{FB} = 1.2V, V_{COMP} = \text{Floating}$		4		ms
T_r	Drive Pin Rise Time	$C_{gs} = 3000pf, V_{DR} = 0$ to 3V		25		ns
T_f	Drive Pin Fall Time	$C_{gs} = 3000pf, V_{DR} = 0$ to 3V		25		ns
V_{SD}	Shutdown threshold ⁽⁶⁾	Output = High		1.27		V
		Output = High, $-40^\circ C \leq T_J \leq 125^\circ C$			1.4	
		Output = Low		0.65		V
		Output = Low, $-40^\circ C \leq T_J \leq 125^\circ C$			0.3	
I_{SD}	Shutdown Pin Current	$V_{SD} = 5V$		-1		μA
		$V_{SD} = 0V$		+1		
I_{FB}	Feedback Pin Current			15		nA
T_{SD}	Thermal Shutdown			165		$^\circ C$
T_{sh}	Thermal Shutdown Hysteresis			10		$^\circ C$

(5) The over-voltage protection is specified with respect to the feedback voltage. This is because the over-voltage protection tracks the feedback voltage. The overvoltage protection threshold is given by adding the feedback voltage, V_{FB} to the over-voltage protection specification.

(6) The FA/SD pin should be pulled to V_{IN} through a resistor to turn the regulator off. The voltage on the FA/SD pin must be above the maximum limit for Output = High to keep the regulator off and must be below the limit for Output = Low to keep the regulator on.

6.6 Typical Characteristics

Unless otherwise specified, $V_{IN} = 12V$, $T_J = 25^\circ C$.

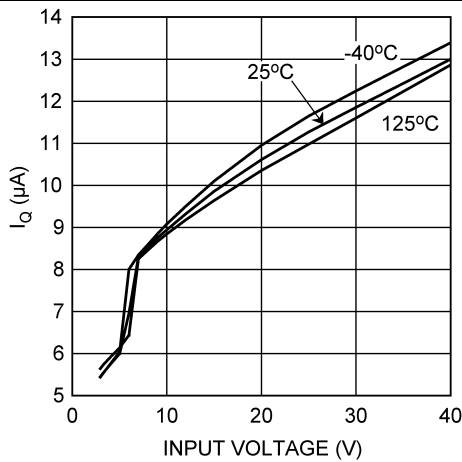


Figure 1. I_Q vs Input Voltage (Shutdown)

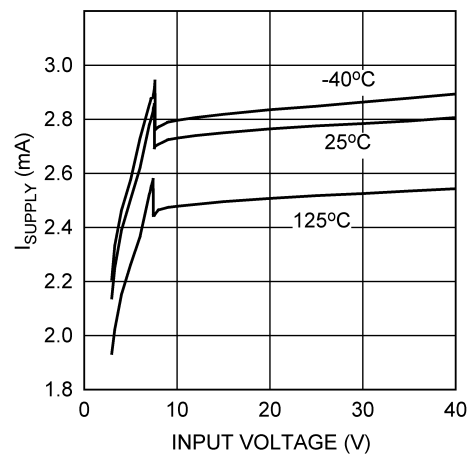


Figure 2. I_{Supply} vs Input Voltage (Non-Switching)

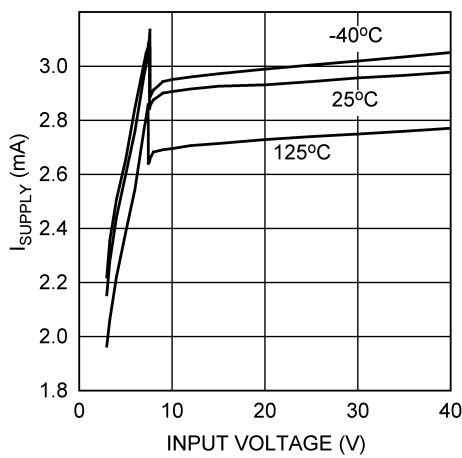


Figure 3. I_{Supply} vs V_{IN} (Switching)

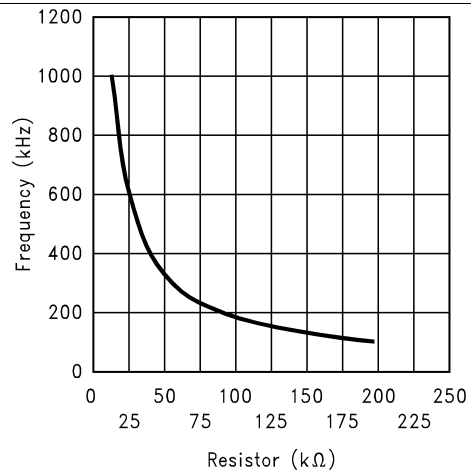


Figure 4. Switching Frequency vs R_{FA}

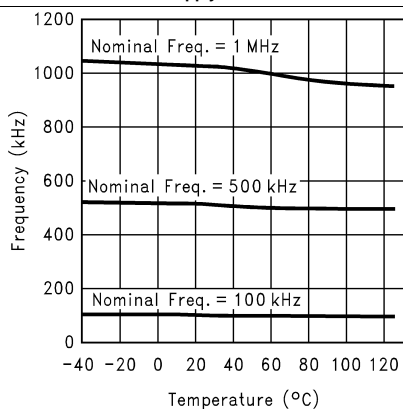


Figure 5. Frequency vs Temperature

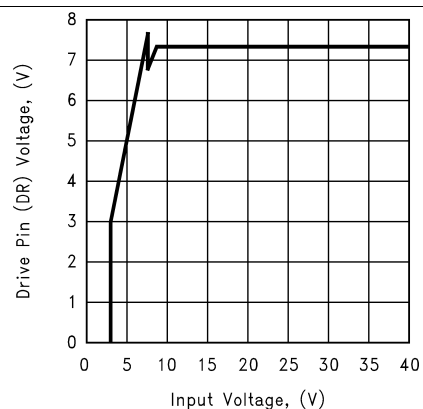


Figure 6. Drive Pin (DR) Voltage vs Input Voltage

Typical Characteristics (continued)

Unless otherwise specified, $V_{IN} = 12V$, $T_J = 25^\circ C$.

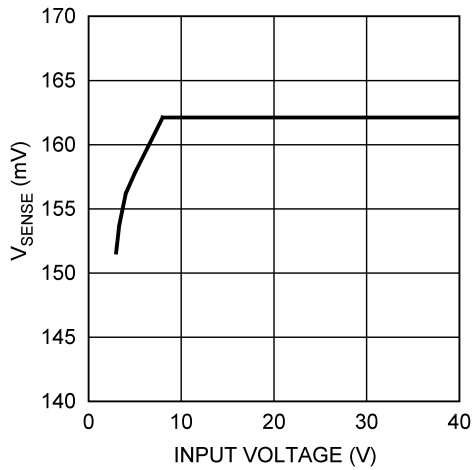


Figure 7. Current Sense Threshold vs Input Voltage

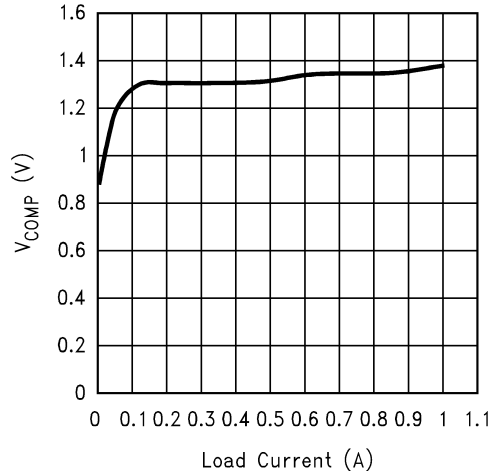


Figure 8. COMP Pin Voltage vs Load Current

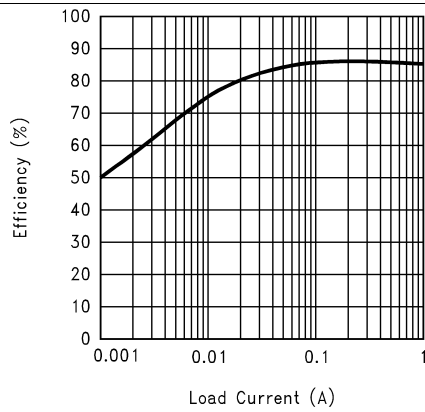


Figure 9. Efficiency vs Load Current (3.3-V Input and 12-V Output)

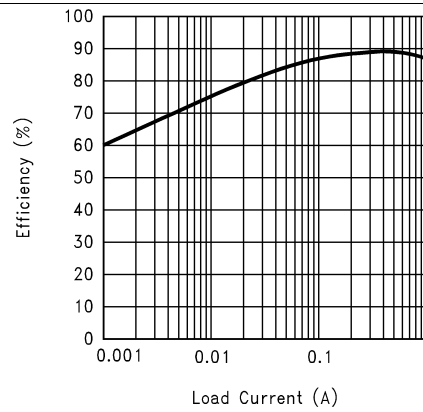


Figure 10. Efficiency vs Load Current (5-V Input and 12-V Output)

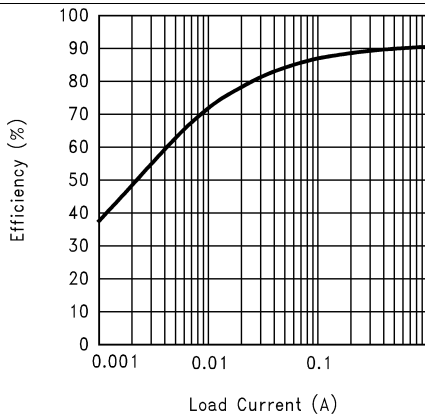


Figure 11. Efficiency vs Load Current (9-V Input and 12-V Output)

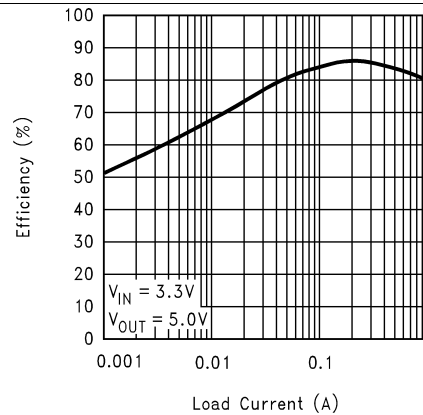


Figure 12. Efficiency vs Load Current (3.3-V Input and 5-V Output)

Typical Characteristics (continued)

Unless otherwise specified, $V_{IN} = 12V$, $T_J = 25^\circ C$.

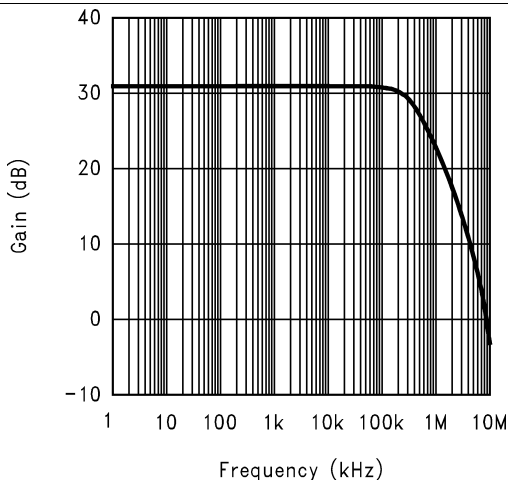


Figure 13. Error Amplifier Gain

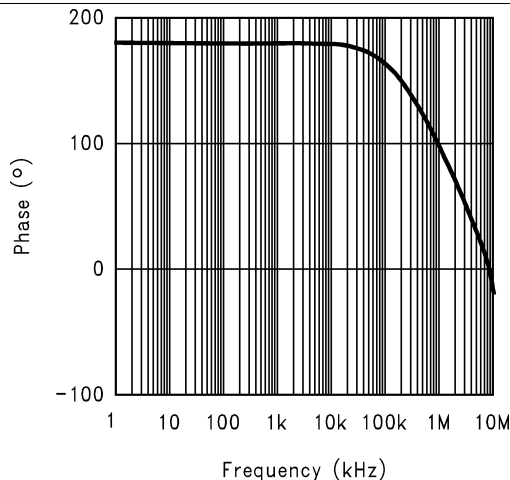


Figure 14. Error Amplifier Phase

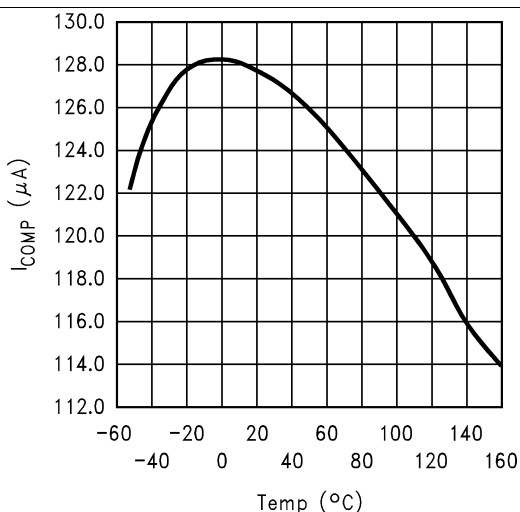


Figure 15. COMP Pin Source Current vs Temperature

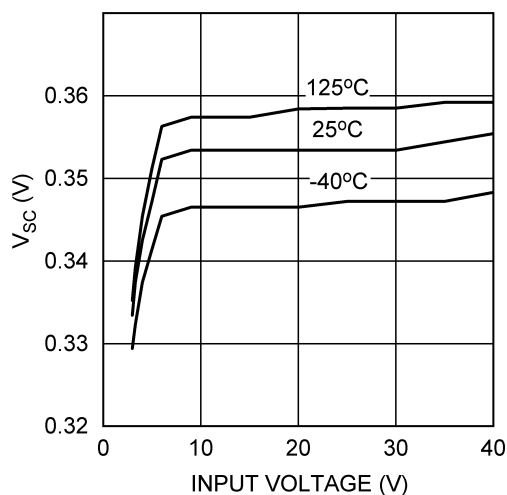


Figure 16. Short Circuit Sense Voltage vs Input Voltage

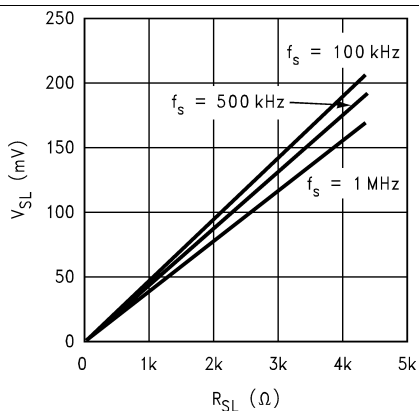


Figure 17. Compensation Ramp vs Compensation Resistor

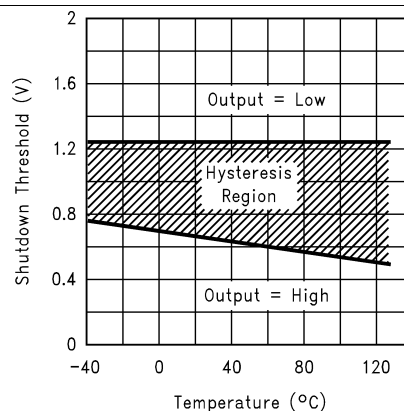
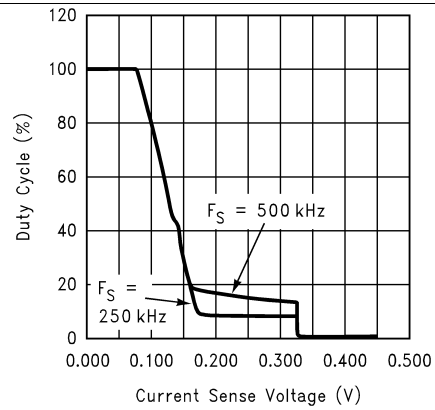


Figure 18. Shutdown Threshold Hysteresis vs Temperature

Typical Characteristics (continued)

 Unless otherwise specified, $V_{IN} = 12V$, $T_J = 25^\circ C$.

Figure 19. Duty Cycle vs Current Sense Voltage

7 Detailed Description

7.1 Overview

The LM3478 device uses a fixed frequency, Pulse Width Modulated (PWM) current mode control architecture. The [Functional Block Diagram](#) shows the basic functionality. In a typical application circuit, the peak current through the external MOSFET is sensed through an external sense resistor. The voltage across this resistor is fed into the I_{SEN} pin. This voltage is fed into the positive input of the PWM comparator. The output voltage is also sensed through an external feedback resistor divider network and fed into the error amplifier negative input (feedback pin, FB). The output of the error amplifier (COMP pin) is added to the slope compensation ramp and fed into the negative input of the PWM comparator. At the start of any switching cycle, the oscillator sets the RS latch using the switch logic block. This forces a high signal on the DR pin (gate of the external MOSFET) and the external MOSFET turns on. When the voltage on the positive input of the PWM comparator exceeds the negative input, the RS latch is reset and the external MOSFET turns off.

The voltage sensed across the sense resistor generally contains spurious noise spikes, as shown in [Figure 20](#). These spikes can force the PWM comparator to reset the RS latch prematurely. To prevent these spikes from resetting the latch, a blank-out circuit inside the IC prevents the PWM comparator from resetting the latch for a short duration after the latch is set. This duration is about 325 ns and is called the blanking interval and is specified as minimum on-time in the Electrical Characteristics section. Under extremely light-load or no-load conditions, the energy delivered to the output capacitor when the external MOSFET is on during the blanking interval is more than what is delivered to the load. An over-voltage comparator inside the LM3478 prevents the output voltage from rising under these conditions. The over-voltage comparator senses the feedback (FB pin) voltage and resets the RS latch. The latch remains in reset state until the output decays to the nominal value.

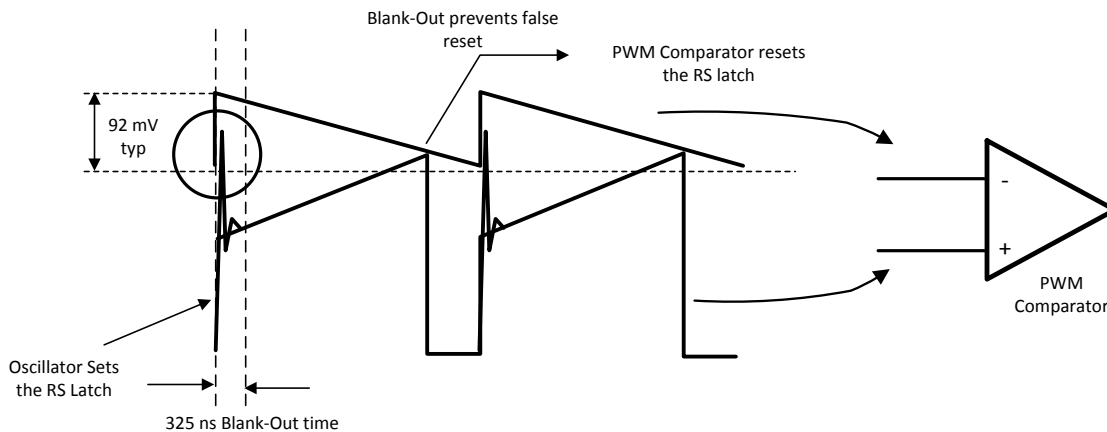
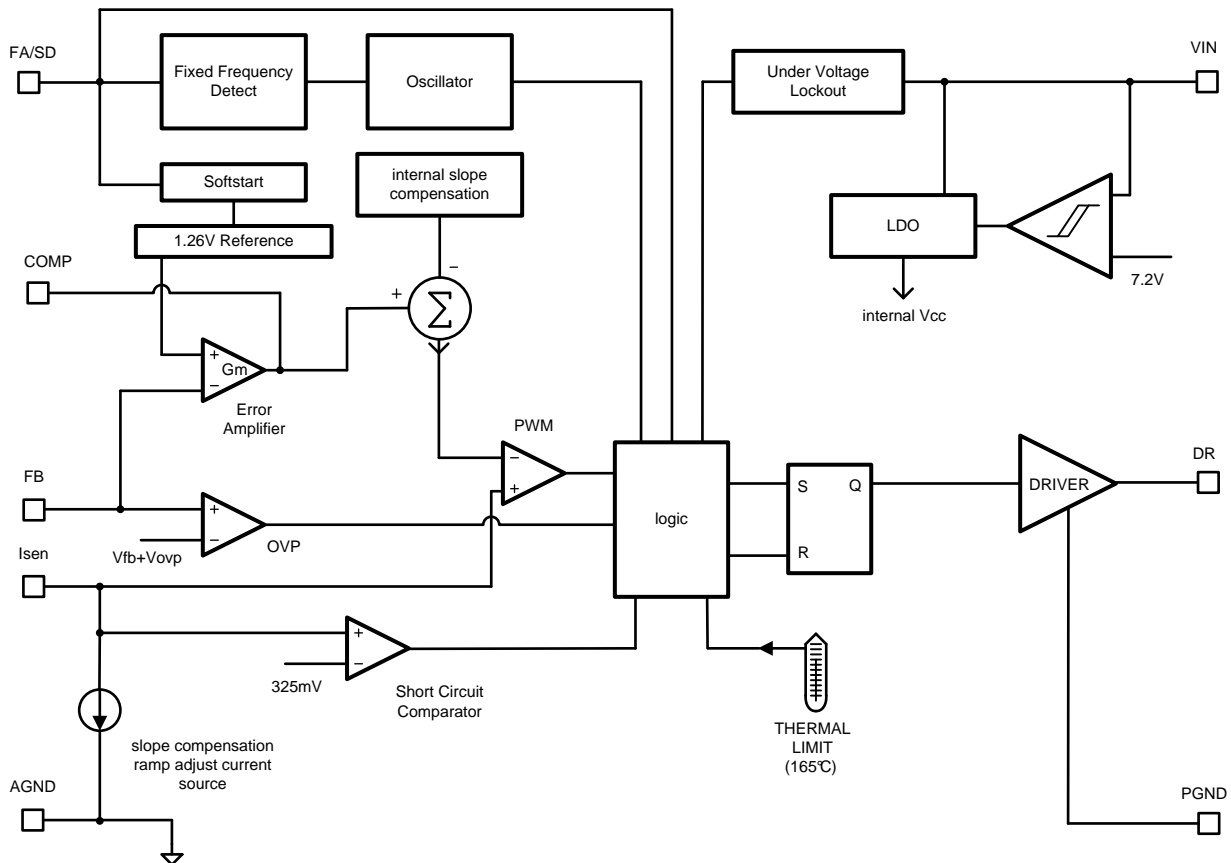


Figure 20. Basic Operation of the PWM Comparator

7.2 Functional Block Diagram



7.3 Feature Description

7.3.1 Overvoltage Protection

The LM3478 has over voltage protection (OVP) for the output voltage. OVP is sensed at the feedback pin (pin 3). If at anytime the voltage at the feedback pin rises to $V_{FB} + V_{OVP}$, OVP is triggered. See [Electrical Characteristics](#) section for limits on V_{FB} and V_{OVP} .

OVP will cause the drive pin to go low, forcing the power MOSFET off. With the MOSFET off, the output voltage will drop. The LM3478 will begin switching again when the feedback voltage reaches $V_{FB} + (V_{OVP} - V_{OVP(HYS)})$. See [Electrical Characteristics](#) for limits on $V_{OVP(HYS)}$.

OVP can be triggered if the unregulated input voltage crosses 7.2 V, the output voltage will react as shown in [Figure 21](#). The internal bias of the LM3478 comes from either the internal LDO as shown in the block diagram or the voltage at the Vin pin is used directly. At Vin voltages lower than 7.2 V the internal IC bias is the Vin voltage and at voltages above 7.2V the internal LDO of the LM3478 provides the bias. At the switch over threshold at 7.2 V a sudden small change in bias voltage is seen by all the internal blocks of the LM3478. The control voltage shifts because of the bias change, the PWM comparator tries to keep regulation. To the PWM comparator, the scenario is identical to a step change in the load current, so the response at the output voltage is the same as would be observed in a step load change. Hence, the output voltage overshoot here can also trigger OVP. The LM3478 will regulate in hysteretic mode for several cycles, or may not recover and simply stay in hysteretic mode until the load current drops or Vin is not crossing the 7.2 V threshold anymore. Note that the output is still regulated in hysteretic mode.

Feature Description (continued)

Depending on the requirements of the application, there is some influence one has over this effect. The threshold of 7.2 V can be shifted to higher voltages by adding a resistor in series with V_{IN} . In case V_{IN} is right at the threshold of 7.2 V, the threshold could cross over and over due to some slight ripple on V_{IN} . To minimize the effect on the output voltage one can filter the V_{IN} pin with an RC filter.

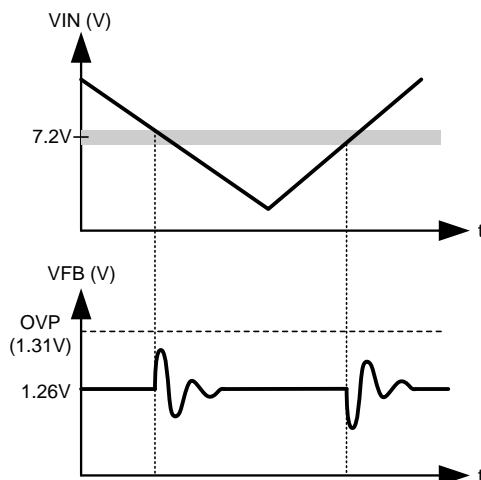


Figure 21. The Feedback Voltage Experiences an Oscillation if the Input Voltage crosses the 7.2-V Internal Bias Threshold

7.3.2 Slope Compensation Ramp

The LM3478 uses a current mode control scheme. The main advantages of current mode control are inherent cycle-by-cycle current limit for the switch and simpler control loop characteristics. It is also easy to parallel power stages using current mode control since current sharing is automatic. However, current mode control has an inherent instability for duty cycles greater than 50%, as shown in Figure 22.

A small increase in the load current causes the switch current to increase by ΔI_0 . The effect of this load change is ΔI_1 .

The two solid waveforms shown are the waveforms compared at the internal pulse width modulator, used to generate the MOSFET drive signal. The top waveform with the slope S_e is the internally generated control waveform V_C . The bottom waveform with slopes S_n and S_f is the sensed inductor current waveform V_{SEN} .

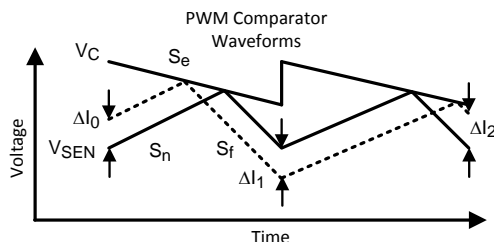


Figure 22. Sub-Harmonic Oscillation for $D > 0.5$ and Compensation Ramp to Avoid Sub-Harmonic Oscillation

Sub-harmonic Oscillation can be easily understood as a geometric problem. If the control signal does not have slope, the slope representing the inductor current ramps up until the control signal is reached and then slopes down again. If the duty cycle is above 50%, any perturbation will not converge but diverge from cycle to cycle and causes sub-harmonic oscillation.

It is apparent that the difference in the inductor current from one cycle to the next is a function of S_n , S_f and S_e as shown in Equation 1.

Feature Description (continued)

$$\Delta I_n = \frac{S_f - S_e}{S_n + S_e} \Delta I_{n-1} \tag{1}$$

Hence, if the quantity $(S_f - S_e)/(S_n + S_e)$ is greater than 1, the inductor current diverges and sub-harmonic oscillation results. This counts for all current mode topologies. The LM3478 has some internal slope compensation V_{SL} which is enough for many applications above 50% duty cycle to avoid sub-harmonic oscillation .

For boost applications, the slopes S_e , S_f and S_n can be calculated with [Equation 2](#), [Equation 3](#), and [Equation 4](#).

$$S_e = V_{SL} \times f_s \tag{2}$$

$$S_f = R_{sen} \times (V_{OUT} - V_{IN})/L \tag{3}$$

$$S_n = V_{IN} \times R_{sen}/L \tag{4}$$

When S_e increases, then the factor that determines if sub-harmonic oscillation will occur decreases. When the duty cycle is greater than 50%, and the inductance becomes less, the factor increases.

For more flexibility, slope compensation can be increased by adding one external resistor, R_{SL} , in the I_{SEN} 's path. [Figure 23](#) shows the setup. The externally generated slope compensation is then added to the internal slope compensation of the LM3478. When using external slope compensation, the formula for S_e becomes:

$$S_e = (V_{SL} + (K \times R_{SL})) \times f_s \tag{5}$$

A typical value for factor K is 40 μA .

The factor changes with switching frequency. [Figure 24](#) is used to determine the factor K for individual applications and [Equation 6](#) gives the factor K.

$$K = \Delta V_{SL} / R_{SL} \tag{6}$$

It is a good design practice to only add as much slope compensation as needed to avoid sub-harmonic oscillation. Additional slope compensation minimizes the influence of the sensed current in the control loop. With very large slope compensation the control loop characteristics are similar to a voltage mode regulator which compares the error voltage to a saw tooth waveform rather than the inductor current.

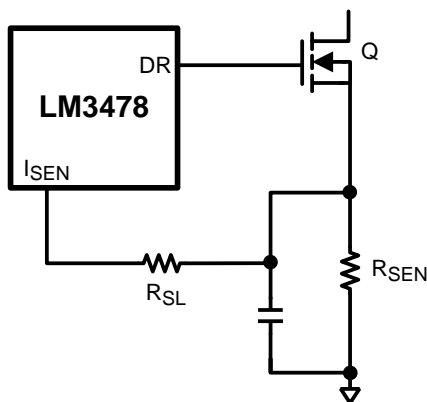


Figure 23. Adding External Slope Compensation

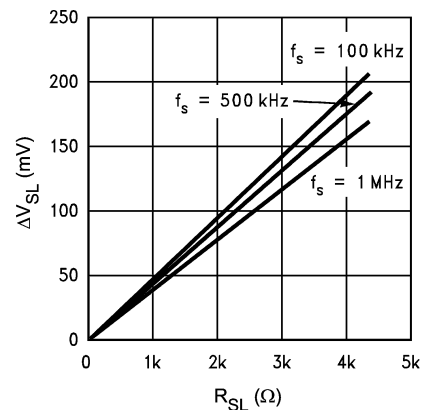


Figure 24. External Slope Compensation ΔV_{SL} vs R_{SL}

Feature Description (continued)

7.3.3 Frequency Adjust/Shutdown

The switching frequency of the LM3478 can be adjusted between 100 kHz and 1 MHz using a single external resistor. This resistor must be connected between FA/SD pin and ground, as shown in Figure 25. To determine the value of the resistor required for a desired switching frequency, refer to *Typical Characteristics* or use Equation 7:

$$R_{FA} = 4.503 \times 10^{11} \times f_S^{-1.26} \quad (7)$$

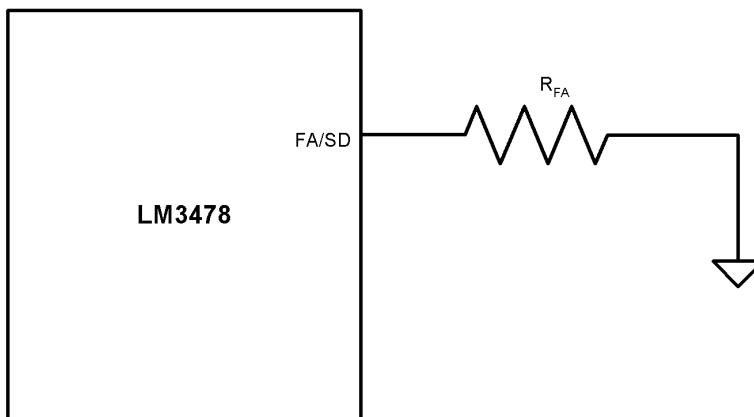


Figure 25. Frequency Adjust

The FA/SD pin also functions as a shutdown pin. If a high signal (>1.35 V) appears on the FA/SD pin, the LM3478 stops switching and goes into a low current mode. The total supply current of the IC reduces to less than 10 μA under these conditions. Figure 26 shows implementation of the shutdown function when operating in frequency adjust mode. In this mode a high signal for more than 30 μs shuts down the IC. However, the voltage on the FA/SD pin should be always less than the absolute maximum of 7 V to avoid any damage to the device.

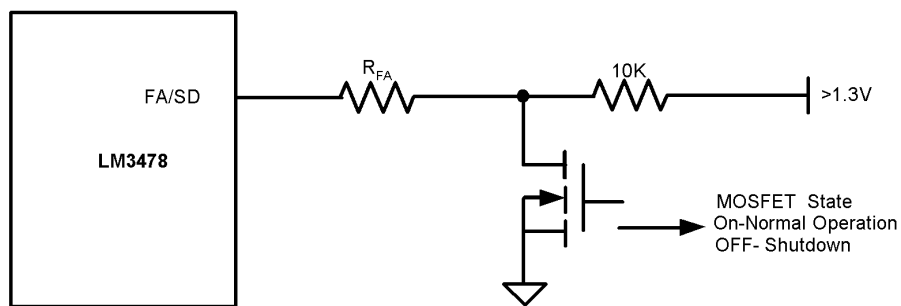


Figure 26. Shutdown Operation in Frequency Adjust Mode

7.3.4 Short-Circuit Protection

When the voltage across the sense resistor measured on the I_{SEN} pin exceeds 343 mV, short circuit current limit protection gets activated. A comparator inside the LM3478 reduces the switching frequency by a factor of 5 and maintains this condition until the short is removed. In normal operation the sensed current will trigger the power MOSFET to turn off. During the blanking interval the PWM comparator will not react to an over current so that this additional 343 mV current limit threshold is implemented to protect the device in a short circuit or severe overload condition.

7.4 Device Functional Modes

The device is set to run as soon as the input voltage crosses above the UVLO set point and at a frequency set according to the FA/SD pin pulldown resistor. If the FA/SD pin is pulled high, the LM3481 enters shut-down mode.

8 Application and Implementation

NOTE

Information in the following applications sections is not part of the TI component specification, and TI does not warrant its accuracy or completeness. TI's customers are responsible for determining suitability of components for their purposes. Customers should validate and test their design implementation to confirm system functionality.

8.1 Application Information

The LM3478 may be operated in either the continuous conduction mode (CCM) or the discontinuous current conduction mode (DCM). The following applications are designed for the CCM operation. This mode of operation has higher efficiency and usually lower EMI characteristics than the DCM.

8.2 Typical Applications

8.2.1 Typical High Efficiency Step-Up (Boost) Converter

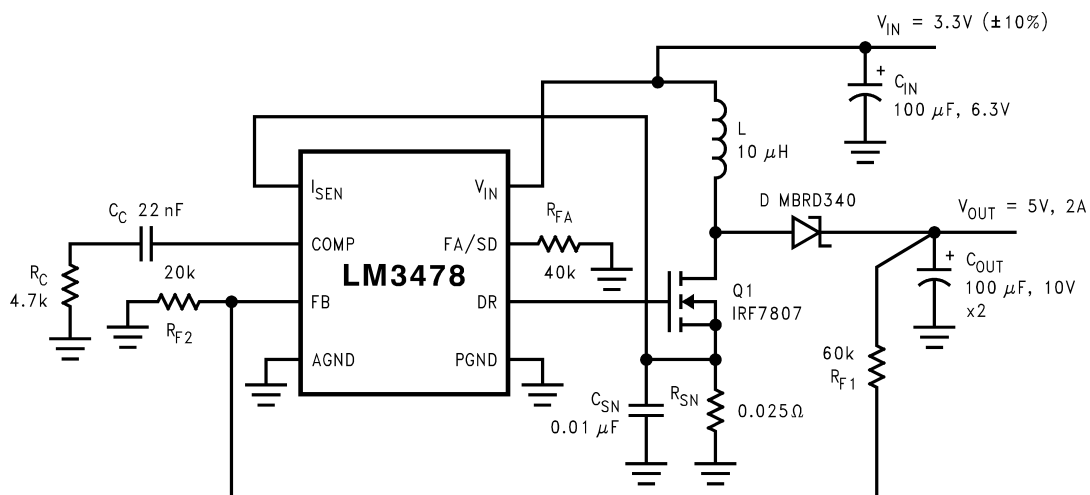


Figure 27. Typical High Efficiency Step-Up (Boost) Converter Schematic

The boost converter converts a low input voltage into a higher output voltage. The basic configuration for a boost converter is shown in [Figure 28](#). In the CCM (when the inductor current never reaches zero at steady state), the boost regulator operates in two states. In the first state of operation, MOSFET Q is turned on and energy is stored in the inductor. During this state, diode D is reverse biased and load current is supplied by the output capacitor, C_{OUT}.

In the second state, MOSFET Q is off and the diode is forward biased. The energy stored in the inductor is transferred to the load and the output capacitor. The ratio of the switch on time to the total period is the duty cycle D as shown in [Equation 8](#).

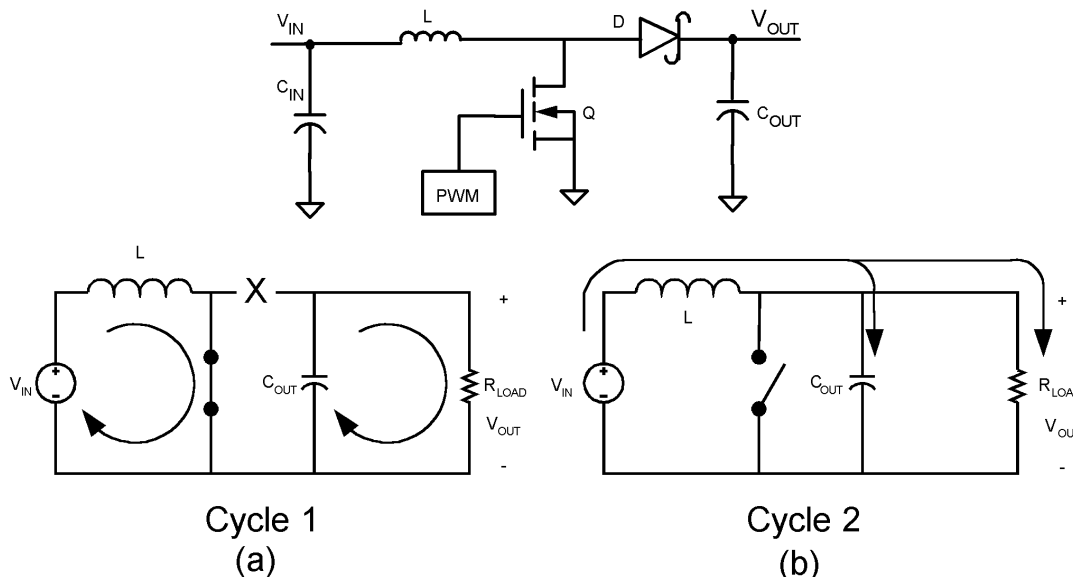
$$D = 1 - (V_{in} / V_{out}) \tag{8}$$

Including the voltage drop across the MOSFET and the diode the definition for the duty cycle is shown in [Equation 9](#).

$$D = 1 - ((V_{in} - V_q) / (V_{out} + V_d)) \tag{9}$$

V_d is the forward voltage drop of the diode and V_q is the voltage drop across the MOSFET when it is on.

Typical Applications (continued)



- A. First Cycle Operation
- B. Second Cycle of Operation

Figure 28. Simplified Boost Converter

8.2.1.1 Design Requirements

To properly size the components for the application, the designer needs the following parameters: input voltage range, output voltage, output current range, and required switching frequency. These four main parameters affect the choices of component available to achieve a proper system behavior.

For the power supply, the input impedance of the supply rail should be low enough that the input current transient does not drop below the UVLO value. The factors determining the choice of inductor used should be the average inductor current, and the inductor current ripple. If the switching frequency is set high, the converter can be operated with very small inductor values. The maximum current that can be delivered to the load is set by the sense resistor, R_{SEN} . Current limit occurs when the voltage generated across the sense resistor equals the current sense threshold voltage, V_{SENSE} . Also, a resistor R_{SL} adds additional slope compensation, if required.

The following sections describe the design requirements for a typical LM3478 boost application.

8.2.1.2 Detailed Design Procedure

8.2.1.2.1 Custom Design with WEBENCH Tools

[Click here](#) to create a custom design using the LM3478 device with the WEBENCH® Power Designer.

1. Start by entering your V_{IN} , V_{OUT} and I_{OUT} requirements.
2. Optimize your design for key parameters like efficiency, footprint and cost using the optimizer dial and compare this design with other possible solutions from Texas Instruments.
3. WEBENCH Power Designer provides you with a customized schematic along with a list of materials with real time pricing and component availability.
4. In most cases, you will also be able to:
 - Run electrical simulations to see important waveforms and circuit performance,
 - Run thermal simulations to understand the thermal performance of your board,
 - Export your customized schematic and layout into popular CAD formats,
 - Print PDF reports for the design, and share your design with colleagues.

Typical Applications (continued)

- Get more information about WEBENCH tools at www.ti.com/webench.

8.2.1.2.2 Power Inductor Selection

The inductor is one of the two energy storage elements in a boost converter. [Figure 29](#) shows how the inductor current varies during a switching cycle. The current through an inductor is quantified using [Equation 10](#), which shows the relationship of L , I_L and V_L .

$$V_L(t) = L \frac{di_L(t)}{dt} \quad (10)$$

The important quantities in determining a proper inductance value are I_L (the average inductor current) and ΔI_L (the inductor current ripple). If ΔI_L is larger than I_L , the inductor current will drop to zero for a portion of the cycle and the converter will operate in the DCM. All the analysis in this datasheet assumes operation in the CCM. To operate in the CCM, the following condition must be met by using [Equation 11](#).

$$L > \frac{D(1-D)V_{in}}{2I_{OUT}f_s} \quad (11)$$

Choose the minimum I_{OUT} to determine the minimum inductance value. A common choice is to set ΔI_L to 30% of I_L . Choosing an appropriate core size for the inductor involves calculating the average and peak currents expected through the inductor. Use [Equation 12](#), [Equation 13](#), and [Equation 14](#) to the peak inductor current in a boost converter.

$$I_{LPEAK} = \text{Average } I_{L(max)} + \Delta I_{L(max)} \quad (12)$$

$$\text{Average } I_{L(max)} = I_{out} / (1-D) \quad (13)$$

$$\Delta I_{L(max)} = D \times V_{in} / (2 \times f_s \times L) \quad (14)$$

An inductor size with ratings higher than these values has to be selected. If the inductor is not properly rated, saturation will occur and may cause the circuit to malfunction.

The LM3478 can be set to switch at very high frequencies. When the switching frequency is high, the converter can be operated with very small inductor values. The LM3478 senses the peak current through the switch which is the same as the peak inductor current as calculated in the previous equation.

Typical Applications (continued)

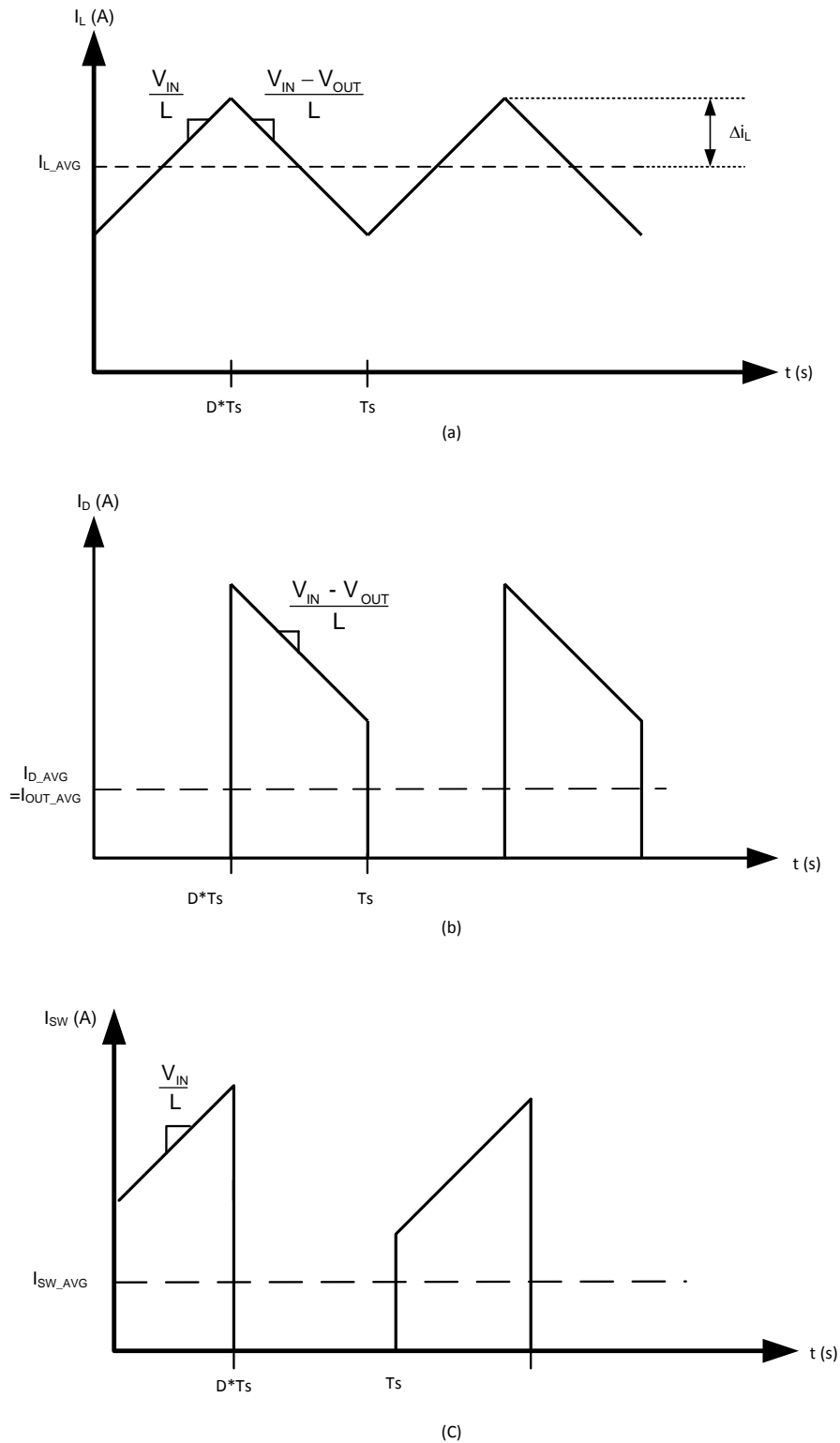


Figure 29. Inductor Current and Diode Current

Typical Applications (continued)

8.2.1.2.3 Programming the Output Voltage

The output voltage can be programmed using a resistor divider between the output and the FB pin. The resistors are selected such that the voltage at the FB pin is 1.26 V. Pick R_{F1} (the resistor between the output voltage and the feedback pin) and R_{F2} (the resistor between the feedback pin and ground) can be selected using the following equation,

$$R_{F2} = (1.26 \text{ V} \times R_{F1}) / (V_{\text{out}} - 1.26 \text{ V}) \quad (15)$$

A 100-pF capacitor may be connected between the feedback and ground pins to reduce noise.

8.2.1.2.4 Setting the Current Limit

The maximum amount of current that can be delivered to the load is set by the sense resistor, R_{SEN} . Current limit occurs when the voltage that is generated across the sense resistor equals the current sense threshold voltage, V_{SENSE} . When this threshold is reached, the switch will be turned off until the next cycle. Limits for V_{SENSE} are specified in the electrical characteristics section. V_{SENSE} represents the maximum value of the internal control signal V_{CS} as shown in Figure 30. This control signal, however, is not a constant value and changes over the course of a period as a result of the internal compensation ramp (V_{SL}). Therefore the current limit threshold will also change. The actual current limit threshold is a function of the sense voltage (V_{SENSE}) and the internal compensation ramp:

$$R_{\text{SEN}} \times \text{ISW}_{\text{LIMIT}} = V_{\text{CS}_{\text{MAX}}} = V_{\text{SENSE}} - (D \times V_{\text{SL}}) \quad (16)$$

Where $\text{ISW}_{\text{LIMIT}}$ is the peak switch current limit, defined by Equation 17.

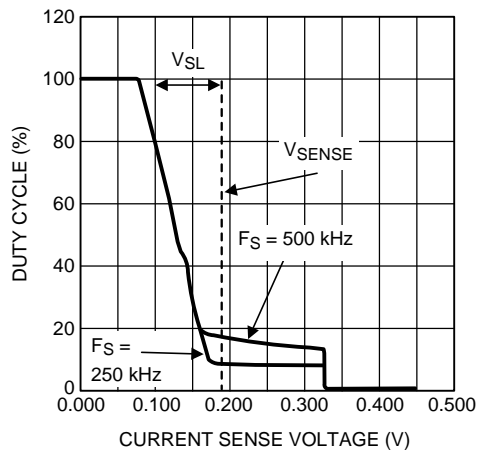


Figure 30. Current Sense Voltage vs Duty Cycle

Figure 30 shows how V_{CS} (and current limit threshold voltage) change with duty cycle. The curve is equivalent to the internal compensation ramp slope (S_e) and is bounded at low duty cycle by V_{SENSE} , shown as a dotted line. As duty cycle increases, the control voltage is reduced as V_{SL} ramps up. The graph also shows the short circuit current limit threshold of 343 mV (typical) during the 325 ns (typical) blanking time. For higher frequencies this fixed blanking time obviously occupies more duty cycle, percentage wise. Since current limit threshold varies with duty cycle, the use Equation 17 to select R_{SEN} and set the desired current limit threshold:

$$R_{\text{SEN}} = \frac{V_{\text{SENSE}} - (D \times V_{\text{SL}})}{\text{ISW}_{\text{LIMIT}}} \quad (17)$$

The numerator of Equation 17 is V_{CS} , and $\text{ISW}_{\text{LIMIT}}$ using Equation 18.

$$\text{ISW}_{\text{LIMIT}} = \left[\frac{I_{\text{OUT}}}{(1-D)} + \frac{(D \times V_{\text{IN}})}{(2 \times f_{\text{S}} \times L)} \right] \quad (18)$$

Typical Applications (continued)

To avoid false triggering, the current limit value should have some margin above the maximum operating value, typically 120%. Values for both V_{SENSE} and V_{SL} are specified in [Electrical Characteristics](#). However, calculating with the limits of these two specs could result in an unrealistically wide current limit or R_{SEN} range. Therefore, [Equation 19](#) is recommended, using the V_{SL} ratio value given in [Electrical Characteristics](#).

$$R_{SEN} = \frac{V_{SENSE} - (D \times V_{SENSE} \times V_{SLratio})}{ISW_{LIMIT}} \quad (19)$$

R_{SEN} is part of the current mode control loop and has some influence on control loop stability. Therefore, once the current limit threshold is set, loop stability must be verified. As described in the slope compensation section, [Equation 20](#) must hold true for a current mode converter to be stable.

$$S_f - S_e < S_n + S_e \quad (20)$$

To verify that this equation holds true, use [Equation 21](#).

$$R_{SEN} < \frac{2 \times V_{SL} \times f_s \times L}{V_O - (2 \times V_{IN})} \quad (21)$$

If the selected R_{SEN} is greater than this value, additional slope compensation must be added to ensure stability, as described in the section below.

8.2.1.2.5 Current Limit with External Slope Compensation

R_{SL} is used to add additional slope compensation when required. It is not necessary in most designs and R_{SL} should be no larger than necessary. Select R_{SL} according to [Equation 22](#).

$$R_{SL} > \frac{\frac{R_{SEN} \times (V_O - 2V_{IN})}{2 \times f_s \times L} - V_{SL}}{40 \mu A} \quad (22)$$

Where R_{SEN} is the selected value based on current limit. With R_{SL} installed, the control signal includes additional external slope to stabilize the loop, which will also have an effect on the current limit threshold. Therefore, the current limit threshold must be re-verified, as illustrated in [Equation 23](#), [Equation 24](#), and [Equation 25](#) below.

$$V_{CS} = V_{SENSE} - (D \times (V_{SL} + \Delta V_{SL})) \quad (23)$$

Where ΔV_{SL} is the additional slope compensation generated as discussed in the slope compensation ramp section and calculated using [Equation 24](#).

$$\Delta V_{SL} = 40 \mu A \times R_{SL} \quad (24)$$

This changes the equation for current limit (or R_{SEN}) as shown in [Equation 25](#).

$$ISW_{LIMIT} = \frac{V_{SENSE} - (D \times (V_{SL} + \Delta V_{SL}))}{R_{SEN}} \quad (25)$$

The R_{SEN} and R_{SL} values may have to be calculated iteratively in order to achieve both the desired current limit and stable operation. In some designs R_{SL} can also help to filter noise on the I_{SEN} pin.

If the inductor is selected such that ripple current is the recommended 30% value, and the current limit threshold is 120% of the maximum peak, a simpler method can be used to determine R_{SEN} . [Equation 26](#) below will provide optimum stability without R_{SL} , provided that the above 2 conditions are met.

$$R_{SEN} = \frac{V_{SENSE}}{ISW_{LIMIT} + \left(\frac{V_O - V_i}{L \times f_s} \right) \times D} \quad (26)$$

8.2.1.2.6 Power Diode Selection

Observation of the boost converter circuit shows that the average current through the diode is the average load current, and the peak current through the diode is the peak current through the inductor. The diode should be rated to handle more than its peak current. The peak diode current can be calculated using [Equation 27](#).

$$I_{D(Peak)} = I_{OUT} / (1-D) + \Delta I_L \quad (27)$$

Typical Applications (continued)

Thermally the diode must be able to handle the maximum average current delivered to the output. The peak reverse voltage for boost converters is equal to the regulated output voltage. The diode must be capable of handling this voltage. To improve efficiency, a low forward drop schottky diode is recommended.

8.2.1.2.7 Power MOSFET Selection

The drive pin of the LM3478 must be connected to the gate of an external MOSFET. The drive pin (DR) voltage depends on the input voltage (see [Typical Characteristics](#)). In most applications, a logic level MOSFET can be used. For very low input voltages, a sub logic level MOSFET should be used. The selected MOSFET has a great influence on the system efficiency. The critical parameters for selecting a MOSFET are:

1. Minimum threshold voltage, $V_{TH(MIN)}$
2. On-resistance, $R_{DS(ON)}$
3. Total gate charge, Q_g
4. Reverse transfer capacitance, C_{RSS}
5. Maximum drain to source voltage, $V_{DS(MAX)}$

The off-state voltage of the MOSFET is approximately equal to the output voltage. $V_{ds(max)}$ must be greater than the output voltage. The power losses in the MOSFET can be categorized into conduction losses and switching losses. $R_{DS(ON)}$ is needed to estimate the conduction losses, P_{cond} :

$$P_{cond} = I^2 \times R_{DS(ON)} \times D \quad (28)$$

The temperature effect on the $R_{DS(ON)}$ usually is quite significant. Assume 30% increase at hot.

For the current I in [Equation 28](#) the average inductor current may be used.

Especially at high switching frequencies the switching losses may be the largest portion of the total losses.

The switching losses are very difficult to calculate due to changing parasitics of a given MOSFET in operation. Often the individual MOSFET's data sheet does not give enough information to yield a useful result. [Equation 29](#) and [Equation 30](#) give a rough idea how the switching losses are calculated:

$$P_{SW} = \frac{I_{Lmax} \times V_{out}}{2} \times f_{SW} \times (t_{LH} + t_{HL}) \quad (29)$$

$$t_{LH} = \left(Q_{gd} + \frac{Q_{gs}}{2} \right) \times \frac{R_{drOn}}{V_{dr} - V_{gsTh}} \quad (30)$$

8.2.1.2.8 Input Capacitor Selection

Due to the presence of an inductor at the input of a boost converter, the input current waveform is continuous and triangular as shown in [Figure 29](#). The inductor ensures that the input capacitor sees fairly low ripple currents. However, as the input capacitor gets smaller, the input ripple goes up. The RMS current in the input capacitor is given using [Equation 31](#).

$$I_{CIN(RMS)} = \Delta i_L / \sqrt{3} = \frac{1}{2\sqrt{3}} \left(\frac{V_{OUT} - V_{IN}}{V_{OUT} L f_s} \right) \times V_{in} \quad (31)$$

The input capacitor should be capable of handling the RMS current. Although the input capacitor is not as critical in a boost application, low values can cause impedance interactions. Therefore a good quality capacitor should be chosen in the range of 10 μF to 20 μF . If a value lower than 10 μF is used, then problems with impedance interactions or switching noise can affect the LM3478. To improve performance, especially with V_{in} below 8 volts, it is recommended to use a 20 Ohm resistor at the input to provide an RC filter. The resistor is placed in series with the V_{IN} pin with only a bypass capacitor attached to the V_{IN} pin directly (see [Figure 31](#)). A 0.1- μF or 1- μF ceramic capacitor is necessary in this configuration. The bulk input capacitor and inductor will connect on the other side of the resistor at the input power supply.

Typical Applications (continued)

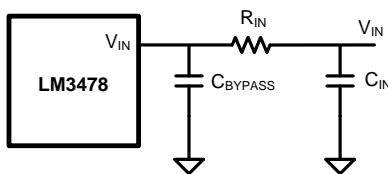


Figure 31. Reducing IC Input Noise

8.2.1.2.9 Output Capacitor Selection

The output capacitor in a boost converter provides all the output current when the inductor is charging. As a result it sees very large ripple currents. The output capacitor should be capable of handling the maximum RMS current. Equation 32 shows the RMS current in the output capacitor.

$$I_{\text{COUT(RMS)}} = \sqrt{(1-D) \left[I_{\text{OUT}}^2 \frac{D}{(1-D)^2} + \frac{\Delta i_L^2}{3} \right]} \quad (32)$$

Where

$$\Delta i_L = \frac{DV_{\text{IN}}}{2Lf_s} \quad (33)$$

The ESR and ESL of the capacitor directly control the output ripple. Use capacitors with low ESR and ESL at the output for high efficiency and low ripple voltage. Surface mount tantalums, surface mount polymer electrolytic, polymer tantalum, or multi-layer ceramic capacitors are recommended at the output.

For applications that require very low output voltage ripple, a second stage LC filter often is a good solution. Most of the time it is lower cost to use a small second inductor in the power path and an additional final output capacitor than to reduce the output voltage ripple by purely increasing the output capacitor without an additional LC filter.

8.2.1.2.10 Compensation

For detailed explanation on how to select the right compensation components to attach to the compensation pin for a boost topology, please see *AN-1286 Compensation For The LM3478 Boost Controller* [SNVA067](#).

8.2.1.3 Application Curves

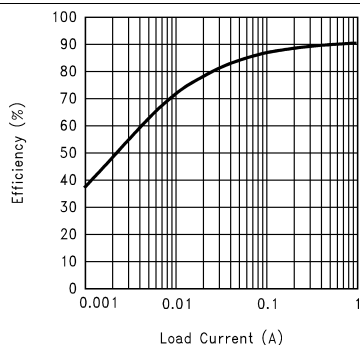


Figure 32. Efficiency vs Load Current (9-V In and 12-V Out)

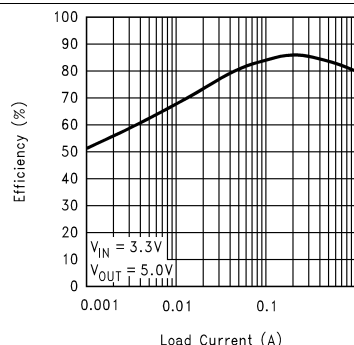


Figure 33. Efficiency vs Load Current (3.3-V In and 5-V Out)

Typical Applications (continued)

8.2.2 Typical SEPIC Converter

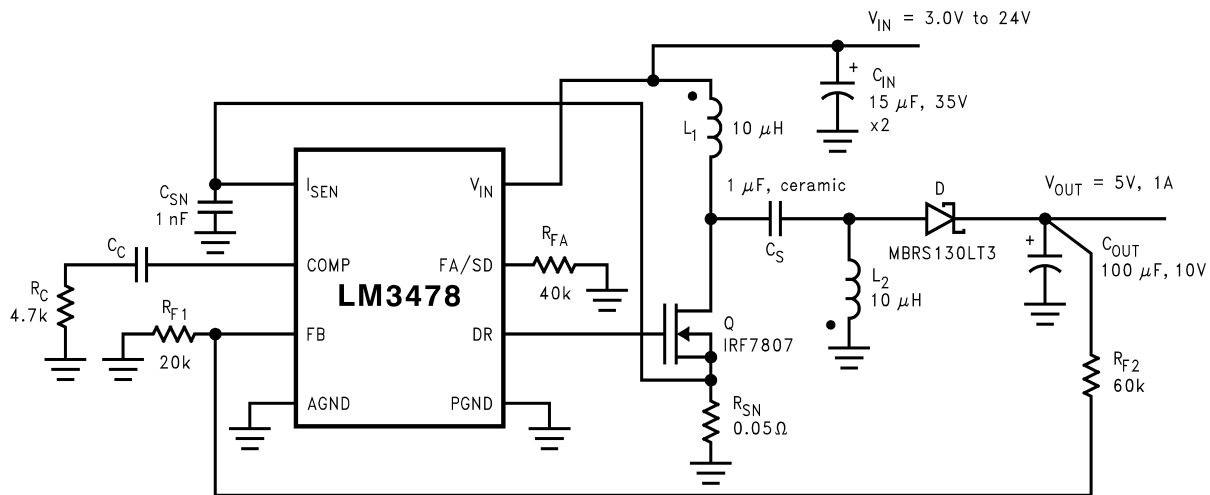


Figure 34. Typical SEPIC Converter

Since the LM3478 controls a low-side N-Channel MOSFET, it can also be used in SEPIC (Single Ended Primary Inductance Converter) applications. An example of a SEPIC using the LM3478 is shown in [Figure 34](#). Note that the output voltage can be higher or lower than the input voltage. The SEPIC uses two inductors to step-up or step-down the input voltage. The inductors L1 and L2 can be two discrete inductors or two windings of a coupled inductor since equal voltages are applied across the inductor throughout the switching cycle. Using two discrete inductors allows use of catalog magnetics, as opposed to a custom inductor. The input ripple can be reduced along with size by using the coupled windings for L1 and L2.

Due to the presence of the inductor L1 at the input, the SEPIC inherits all the benefits of a boost converter. One main advantage of a SEPIC over a boost converter is the inherent input to output isolation. The capacitor C_S isolates the input from the output and provides protection against a shorted or malfunctioning load. Hence, the SEPIC is useful for replacing boost circuits when true shutdown is required. This means that the output voltage falls to 0V when the switch is turned off. In a boost converter, the output can only fall to the input voltage minus a diode drop.

The duty cycle of a SEPIC is given using [Equation 34](#).

$$D = \frac{V_{OUT} + V_{DIODE}}{V_{OUT} + V_{IN} - V_Q + V_{DIODE}} \quad (34)$$

In [Equation 34](#), V_Q is the on-state voltage of the MOSFET, Q, and V_{DIODE} is the forward voltage drop of the diode.

8.2.2.1 Design Requirements

To properly size the components for the application, the designer needs the following parameters: input voltage range, output voltage, output current range, and required switching frequency. These four main parameters affect the choices of component available to achieve a proper system behavior.

For the power supply, the input impedance of the supply rail should be low enough that the input current transient does not drop below the UVLO value. The factors determining the choice of inductor used should be the average inductor current, and the inductor current ripple. If the switching frequency is set high, the converter can be operated with very small inductor values. The maximum current that can be delivered to the load is set by the sense resistor, R_{SEN}. Current limit occurs when the voltage generated across the sense resistor equals the current sense threshold voltage, V_{SENSE}. Also, a resistor R_{SL} adds additional slope compensation, if required.

The following sections describe the design requirements for a typical LM3478 boost application.

Typical Applications (continued)

8.2.2.2 Detailed Design Procedure

8.2.2.2.1 Power MOSFET Selection

As in a boost converter, parameters governing the selection of the MOSFET are the minimum threshold voltage, $V_{TH(MIN)}$, the on-resistance, $R_{DS(ON)}$, the total gate charge, Q_g , the reverse transfer capacitance, C_{RSS} , and the maximum drain to source voltage, $V_{DS(MAX)}$. The peak switch voltage in a SEPIC is given using [Equation 35](#).

$$V_{SW(PEAK)} = V_{IN} + V_{OUT} + V_{DIODE} \quad (35)$$

The selected MOSFET should satisfy the condition:

$$V_{DS(MAX)} > V_{SW(PEAK)} \quad (36)$$

The peak switch current is given using [Equation 37](#).

$$I_{SW(PEAK)} = I_{L1(AVG)} + I_{OUT} + \frac{\Delta I_{L1} + \Delta I_{L2}}{2} \quad (37)$$

The RMS current through the switch is given using [Equation 38](#).

$$I_{SWRMS} = \sqrt{\left[I_{SWPEAK}^2 - I_{SWPEAK} (\Delta I_{L1} + \Delta I_{L2}) + \frac{(\Delta I_{L1} + \Delta I_{L2})^2}{3} \right] D} \quad (38)$$

8.2.2.2.2 Power Diode Selection

The Power diode must be selected to handle the peak current and the peak reverse voltage. In a SEPIC, the diode peak current is the same as the switch peak current. The off-state voltage or peak reverse voltage of the diode is $V_{IN} + V_{OUT}$. Similar to the boost converter, the average diode current is equal to the output current. Schottky diodes are recommended.

8.2.2.2.3 Selection of Inductors L1 and L2

Proper selection of inductors L1 and L2 to maintain continuous current conduction mode requires calculations of the following parameters.

Average current in the inductors can be calculated using [Equation 39](#).

$$I_{L1AVE} = \frac{D I_{OUT}}{1-D} \quad (39)$$

$$I_{L2AVE} = I_{OUT} \quad (40)$$

Peak to peak ripple current, to calculate core loss if necessary using [Equation 41](#) and [Equation 42](#).

$$\Delta I_{L1} = \frac{(V_{IN} - V_Q) D}{(L1) f_s} \quad (41)$$

$$\Delta I_{L2} = \frac{(V_{IN} - V_Q) D}{(L2) f_s} \quad (42)$$

Maintaining the condition $I_L > \Delta I_L / 2$ to ensure continuous current conduction yields [Equation 43](#) and [Equation 44](#).

$$L1 > \frac{(V_{IN} - V_Q)(1-D)}{2 I_{OUT} f_s} \quad (43)$$

$$L2 > \frac{(V_{IN} - V_Q) D}{2 I_{OUT} f_s} \quad (44)$$

Peak current in the inductor, use [Equation 45](#) and [Equation 46](#) to ensure the inductor does not saturate.

$$I_{L1PK} = \frac{D I_{OUT}}{1-D} + \frac{\Delta I_{L1}}{2} \quad (45)$$

Typical Applications (continued)

$$I_{L2PK} = I_{OUT} + \frac{\Delta I_{L2}}{2} \quad (46)$$

I_{L1PK} must be lower than the maximum current rating set by the current sense resistor.

The value of L1 can be increased above the minimum recommended to reduce input ripple and output ripple. However, once D_{IL1} is less than 20% of I_{L1AVE} , the benefit to output ripple is minimal.

By increasing the value of L2 above the minimum recommended, ΔI_{L2} can be reduced, which in turn will reduce the output ripple voltage:

$$\Delta V_{OUT} = \left(\frac{I_{OUT}}{1-D} + \frac{\Delta I_{L2}}{2} \right) ESR \quad (47)$$

where ESR is the effective series resistance of the output capacitor.

If L1 and L2 are wound on the same core, then $L1 = L2 = L$. All of the previous equations will hold true if the inductance is replaced by 2L.

8.2.2.2.4 Sense Resistor Selection

The peak current through the switch, $I_{SW(PEAK)}$ can be adjusted using the current sense resistor, R_{SEN} , to provide a certain output current. Resistor R_{SEN} can be selected using [Equation 48](#)

$$R_{SEN} = \frac{V_{SENSE} - D(V_{SL} + \Delta V_{SL})}{I_{SWPEAK}} \quad (48)$$

8.2.2.2.5 Sepic Capacitor Selection

The selection of the SEPIC capacitor, CS, depends on the RMS current. The RMS current of the SEPIC capacitor is given by [Equation 49](#).

$$I_{CSRMS} = \sqrt{I_{SWRMS}^2 + (I_{L1PK}^2 - I_{L1PK}\Delta I_{L1} + \Delta I_{L1}^2)(1-D)} \quad (49)$$

The SEPIC capacitor must be rated for a large ACrms current relative to the output power. This property makes the SEPIC much better suited to lower power applications where the RMS current through the capacitor is relatively small (relative to capacitor technology). The voltage rating of the SEPIC capacitor must be greater than the maximum input voltage. There is an energy balance between CS and L1, which can be used to determine the value of the capacitor. [Equation 50](#) shows the basic energy balance.

$$\frac{1}{2} C_S \Delta V_S^2 = \frac{1}{2} L_1 \Delta I_{L1}^2 \quad (50)$$

where

$$\Delta V_S = \left(\frac{V_{OUT}}{V_{OUT} + V_{IN} - V_Q + V_{DIODE}} \right) \frac{I_{OUT}}{f_S C_S} \quad (51)$$

is the ripple voltage across the SEPIC capacitor, and

$$\Delta I_{L1} = \frac{(V_{IN} - V_Q) D}{L_1 f_S} \quad (52)$$

is the ripple current through the inductor L1. The energy balance equation can be solved using [Equation 53](#) to provide a minimum value for C_S .

$$C_S \geq L_1 \frac{I_{OUT}^2}{(V_{IN} - V_Q)^2} \quad (53)$$

Typical Applications (continued)

8.2.2.2.6 Input Capacitor Selection

Similar to a boost converter, the SEPIC has an inductor at the input. Hence, the input current waveform is continuous and triangular. The inductor ensures that the input capacitor sees fairly low ripple currents. However, as the input capacitor gets smaller, the input ripple goes up. The RMS current in the input capacitor is given using Equation 54.

$$I_{CIN(RMS)} = \Delta I_{L1} / \sqrt{12} = \frac{D}{2\sqrt{3}} \left(\frac{V_{IN} - V_O}{L_1 f_s} \right) \tag{54}$$

The input capacitor should be capable of handling the RMS current. Although the input capacitor is not as critical in a boost application, low values can cause impedance interactions. Therefore a good quality capacitor should be chosen in the range of 10µF to 20µF. If a value lower than 10 µF is used, then problems with impedance interactions or switching noise can affect the LM3478. To improve performance, especially with V_{IN} below 8 volts, TI recommends that the user uses a 20Ω resistor at the input to provide a RC filter. The resistor is placed in series with the V_{IN} pin with only a bypass capacitor attached to the V_{IN} pin directly (see Figure 31). A 0.1-µF or 1-µF ceramic capacitor is necessary in this configuration. The bulk input capacitor and inductor will connect on the other side of the resistor with the input power supply.

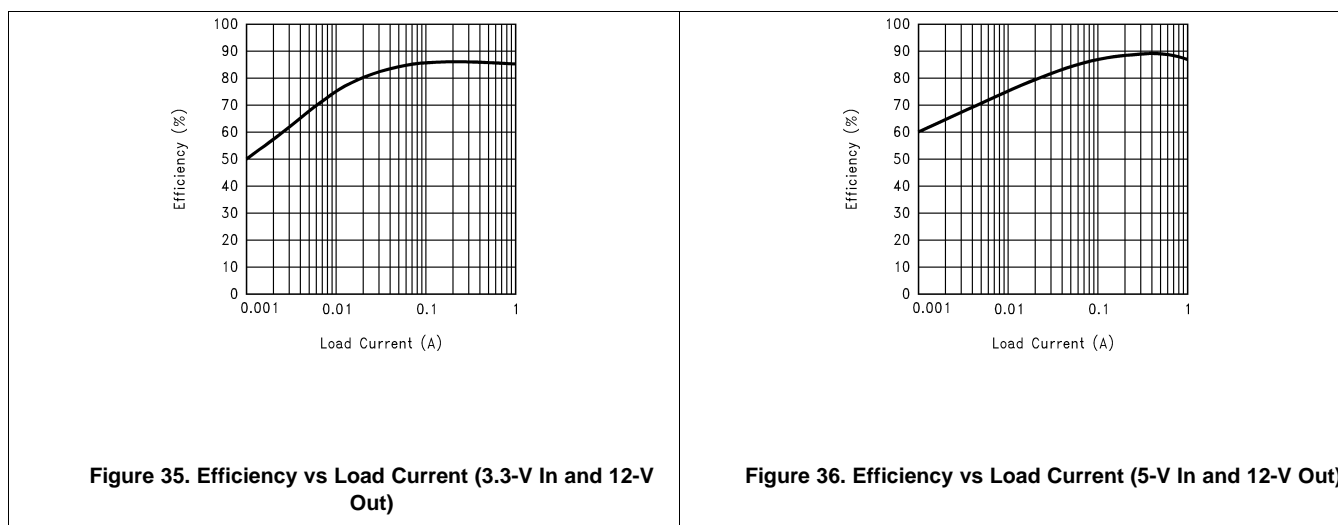
8.2.2.2.7 Output Capacitor Selection

The output capacitor of the SEPIC sees very large ripple currents (similar to the output capacitor of a boost converter). The RMS current through the output capacitor is given using Equation 55.

$$I_{RMS} = \sqrt{\left[I_{SWPK}^2 - I_{SWPK} (\Delta I_{L1} + \Delta I_{L2}) + \frac{(\Delta I_{L1} + \Delta I_{L2})^2}{3} \right] (1-D) - I_{OUT}^2} \tag{55}$$

The ESR and ESL of the output capacitor directly control the output ripple. Use low capacitors with low ESR and ESL at the output for high efficiency and low ripple voltage. Surface mount tantalums, surface mount polymer electrolytic and polymer tantalum, Sanyo-OSCON, or multi-layer ceramic capacitors are recommended at the output for low ripple.

8.2.2.3 Application Curves



9 Power Supply Recommendations

The LM3478 is designed to operate from various DC power supply including a car battery. If so, VIN input should be protected from reversal voltage and voltage dump over 40 volts. The impedance of the input supply rail should be low enough that the input current transient does not cause drop below VIN UVLO level. If the input supply is connected by using long wires, additional bulk capacitance may be required in addition to normal input capacitor.

10 Layout

10.1 Layout Guidelines

Good board layout is critical for switching controllers. First the ground plane area must be sufficient for thermal dissipation purposes and second, appropriate guidelines must be followed to reduce the effects of switching noise. Switching converters are very fast switching devices. In such devices, the rapid increase of input current combined with the parasitic trace inductance generates unwanted Ldi/dt noise spikes. The magnitude of this noise tends to increase as the output current increases. This parasitic spike noise may turn into electromagnetic interference (EMI), and can also cause problems in device performance. Therefore, care must be taken in layout to minimize the effect of this switching noise. The current sensing circuit in current mode devices can be easily affected by switching noise. This noise can cause duty cycle jittering which leads to increased spectral noise. Although the LM3478 has 325 ns blanking time at the beginning of every cycle to ignore this noise, some noise may remain after the blanking time.

The most important layout rule is to keep the AC current loops as small as possible. [Figure 37](#) shows the current flow of a boost converter. The top schematic shows a dotted line which represents the current flow during on-state and the middle schematic shows the current flow during off-state. The bottom schematic shows the currents we refer to as AC currents. They are the most critical ones since current is changing in very short time periods. The dotted lined traces of the bottom schematic are the ones to make as short as possible.

The PGND and AGND pins have to be connected to the same ground very close to the IC. To avoid ground loop currents, attach all the grounds of the system only at one point.

A ceramic input capacitor should be connected as close as possible to the Vin pin and grounded close to the GND pin.

For more information about layout in switch mode power supplies please refer to [AN-1229 Simple Switcher PCB Layout Guidelines](#), [SNVA054](#).

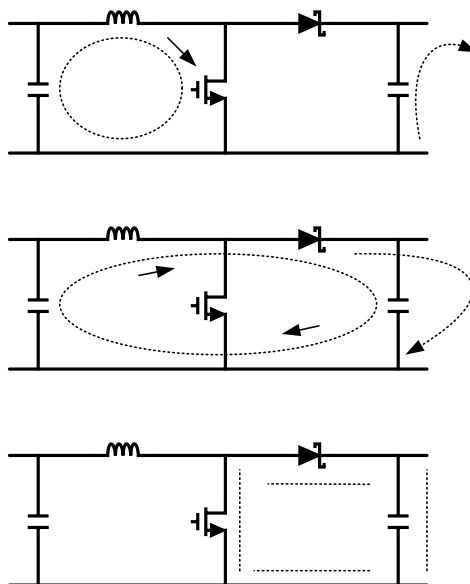
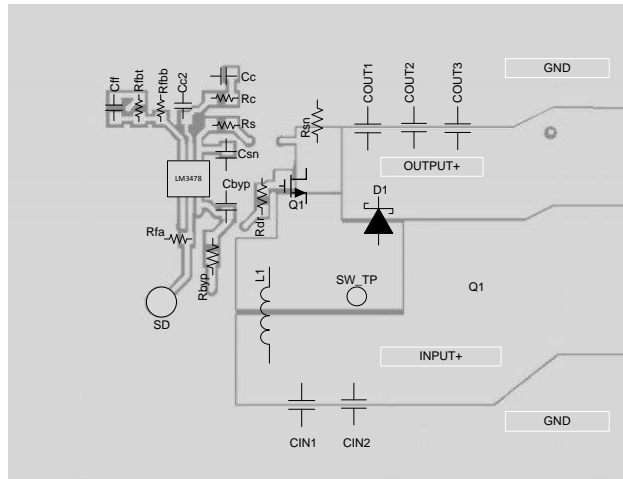


Figure 37. Current Flow in a Boost Application

10.2 Layout Example



See evaluation modules for more detailed examples.

Figure 38. Typical Layout for a Boost Converter

11 Device and Documentation Support

11.1 Custom Design with WEBENCH Tools

Click [here](#) to create a custom design using the LM3478 device with the WEBENCH® Power Designer.

1. Start by entering your V_{IN} , V_{OUT} and I_{OUT} requirements.
2. Optimize your design for key parameters like efficiency, footprint and cost using the optimizer dial and compare this design with other possible solutions from Texas Instruments.
3. WEBENCH Power Designer provides you with a customized schematic along with a list of materials with real time pricing and component availability.
4. In most cases, you will also be able to:
 - Run electrical simulations to see important waveforms and circuit performance,
 - Run thermal simulations to understand the thermal performance of your board,
 - Export your customized schematic and layout into popular CAD formats,
 - Print PDF reports for the design, and share your design with colleagues.
5. Get more information about WEBENCH tools at www.ti.com/webench.

11.2 Receiving Notification of Documentation Updates

To receive notification of documentation updates, navigate to the device product folder on ti.com. In the upper right corner, click on *Alert me* to register and receive a weekly digest of any product information that has changed. For change details, review the revision history included in any revised document.

11.3 Documentation Support

Create a custom design using [LM3478](#) with WEBENCH Power Designer.

11.3.1 Related Documentation

For related documentation see the following:

- *AN-1286 Compensation for the LM3748 Boost Controller* [SNVA067](#)
- *AN-1229 Simple Switcher PCB Layout Guidelines* [SNVA054](#)

11.4 Related Links

The table below lists quick access links. Categories include technical documents, support and community resources, tools and software, and quick access to sample or buy.

Table 1. Related Links

PARTS	PRODUCT FOLDER	SAMPLE & BUY	TECHNICAL DOCUMENTS	TOOLS & SOFTWARE	SUPPORT & COMMUNITY
LM3478	Click here	Click here	Click here	Click here	Click here

11.5 Trademarks

WEBENCH is a registered trademark of Texas Instruments. All other trademarks are the property of their respective owners.

11.6 Electrostatic Discharge Caution



These devices have limited built-in ESD protection. The leads should be shorted together or the device placed in conductive foam during storage or handling to prevent electrostatic damage to the MOS gates.

11.7 Glossary

[SLYZ022](#) — *TI Glossary*.

This glossary lists and explains terms, acronyms, and definitions.

12 Mechanical, Packaging, and Orderable Information

The following pages include mechanical, packaging, and orderable information. This information is the most current data available for the designated devices. This data is subject to change without notice and revision of this document. For browser-based versions of this data sheet, refer to the left-hand navigation.

PACKAGING INFORMATION

Orderable Device	Status (1)	Package Type	Package Drawing	Pins	Package Qty	Eco Plan (2)	Lead finish/ Ball material (6)	MSL Peak Temp (3)	Op Temp (°C)	Device Marking (4/5)	Samples
LM3478MA/NOPB	ACTIVE	SOIC	D	8	95	RoHS & Green	SN	Level-1-260C-UNLIM		L3478 MA	Samples
LM3478MAX/NOPB	ACTIVE	SOIC	D	8	2500	RoHS & Green	SN	Level-1-260C-UNLIM		L3478 MA	Samples
LM3478MM/NOPB	ACTIVE	VSSOP	DGK	8	1000	RoHS & Green	NIPDAUAG SN	Level-1-260C-UNLIM	-40 to 125	S14B	Samples
LM3478MMX/NOPB	ACTIVE	VSSOP	DGK	8	3500	RoHS & Green	NIPDAUAG SN	Level-1-260C-UNLIM	-40 to 125	S14B	Samples

(1) The marketing status values are defined as follows:

ACTIVE: Product device recommended for new designs.

LIFEBUY: TI has announced that the device will be discontinued, and a lifetime-buy period is in effect.

NRND: Not recommended for new designs. Device is in production to support existing customers, but TI does not recommend using this part in a new design.

PREVIEW: Device has been announced but is not in production. Samples may or may not be available.

OBSELETE: TI has discontinued the production of the device.

(2) **RoHS:** TI defines "RoHS" to mean semiconductor products that are compliant with the current EU RoHS requirements for all 10 RoHS substances, including the requirement that RoHS substance do not exceed 0.1% by weight in homogeneous materials. Where designed to be soldered at high temperatures, "RoHS" products are suitable for use in specified lead-free processes. TI may reference these types of products as "Pb-Free".

RoHS Exempt: TI defines "RoHS Exempt" to mean products that contain lead but are compliant with EU RoHS pursuant to a specific EU RoHS exemption.

Green: TI defines "Green" to mean the content of Chlorine (Cl) and Bromine (Br) based flame retardants meet JS709B low halogen requirements of <=1000ppm threshold. Antimony trioxide based flame retardants must also meet the <=1000ppm threshold requirement.

(3) MSL, Peak Temp. - The Moisture Sensitivity Level rating according to the JEDEC industry standard classifications, and peak solder temperature.

(4) There may be additional marking, which relates to the logo, the lot trace code information, or the environmental category on the device.

(5) Multiple Device Markings will be inside parentheses. Only one Device Marking contained in parentheses and separated by a "~" will appear on a device. If a line is indented then it is a continuation of the previous line and the two combined represent the entire Device Marking for that device.

(6) Lead finish/Ball material - Orderable Devices may have multiple material finish options. Finish options are separated by a vertical ruled line. Lead finish/Ball material values may wrap to two lines if the finish value exceeds the maximum column width.

Important Information and Disclaimer:The information provided on this page represents TI's knowledge and belief as of the date that it is provided. TI bases its knowledge and belief on information provided by third parties, and makes no representation or warranty as to the accuracy of such information. Efforts are underway to better integrate information from third parties. TI has taken and

continues to take reasonable steps to provide representative and accurate information but may not have conducted destructive testing or chemical analysis on incoming materials and chemicals. TI and TI suppliers consider certain information to be proprietary, and thus CAS numbers and other limited information may not be available for release.

In no event shall TI's liability arising out of such information exceed the total purchase price of the TI part(s) at issue in this document sold by TI to Customer on an annual basis.

TAPE AND REEL INFORMATION



QUADRANT ASSIGNMENTS FOR PIN 1 ORIENTATION IN TAPE



*All dimensions are nominal

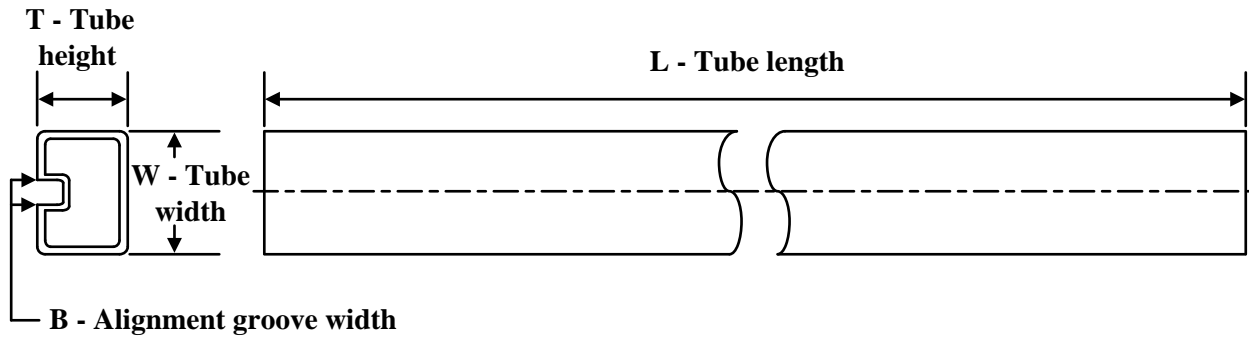
Device	Package Type	Package Drawing	Pins	SPQ	Reel Diameter (mm)	Reel Width W1 (mm)	A0 (mm)	B0 (mm)	K0 (mm)	P1 (mm)	W (mm)	Pin1 Quadrant
LM3478MAX/NOPB	SOIC	D	8	2500	330.0	12.4	6.5	5.4	2.0	8.0	12.0	Q1
LM3478MM/NOPB	VSSOP	DGK	8	1000	178.0	12.4	5.3	3.4	1.4	8.0	12.0	Q1
LM3478MMX/NOPB	VSSOP	DGK	8	3500	330.0	12.4	5.3	3.4	1.4	8.0	12.0	Q1

TAPE AND REEL BOX DIMENSIONS



*All dimensions are nominal

Device	Package Type	Package Drawing	Pins	SPQ	Length (mm)	Width (mm)	Height (mm)
LM3478MAX/NOPB	SOIC	D	8	2500	367.0	367.0	35.0
LM3478MM/NOPB	VSSOP	DGK	8	1000	208.0	191.0	35.0
LM3478MMX/NOPB	VSSOP	DGK	8	3500	367.0	367.0	35.0

TUBE


*All dimensions are nominal

Device	Package Name	Package Type	Pins	SPQ	L (mm)	W (mm)	T (μm)	B (mm)
LM3478MA/NOPB	D	SOIC	8	95	495	8	4064	3.05



D0008A

PACKAGE OUTLINE

SOIC - 1.75 mm max height

SMALL OUTLINE INTEGRATED CIRCUIT



4214825/C 02/2019

NOTES:

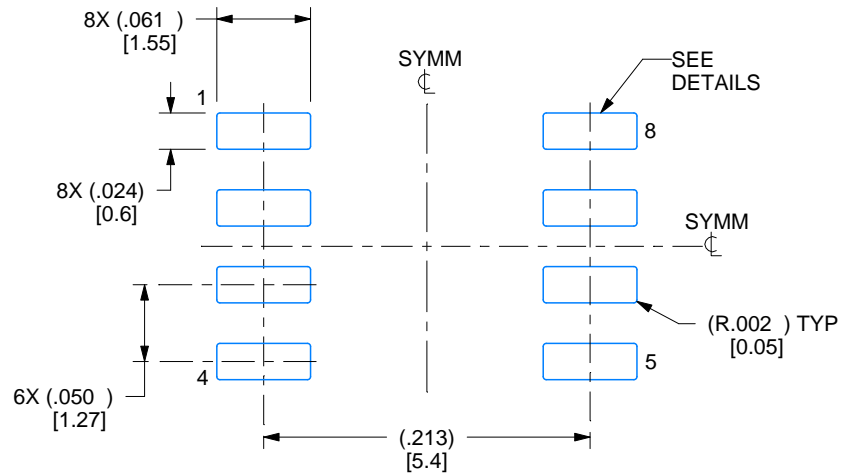
- Linear dimensions are in inches [millimeters]. Dimensions in parenthesis are for reference only. Controlling dimensions are in inches. Dimensioning and tolerancing per ASME Y14.5M.
- This drawing is subject to change without notice.
- This dimension does not include mold flash, protrusions, or gate burrs. Mold flash, protrusions, or gate burrs shall not exceed .006 [0.15] per side.
- This dimension does not include interlead flash.
- Reference JEDEC registration MS-012, variation AA.

EXAMPLE BOARD LAYOUT

D0008A

SOIC - 1.75 mm max height

SMALL OUTLINE INTEGRATED CIRCUIT



LAND PATTERN EXAMPLE
EXPOSED METAL SHOWN
SCALE:8X



SOLDER MASK DETAILS

4214825/C 02/2019

NOTES: (continued)

6. Publication IPC-7351 may have alternate designs.

7. Solder mask tolerances between and around signal pads can vary based on board fabrication site.

EXAMPLE STENCIL DESIGN

D0008A

SOIC - 1.75 mm max height

SMALL OUTLINE INTEGRATED CIRCUIT



SOLDER PASTE EXAMPLE
BASED ON .005 INCH [0.125 MM] THICK STENCIL
SCALE:8X

4214825/C 02/2019

NOTES: (continued)

8. Laser cutting apertures with trapezoidal walls and rounded corners may offer better paste release. IPC-7525 may have alternate design recommendations.
9. Board assembly site may have different recommendations for stencil design.

DGK0008A



PACKAGE OUTLINE

VSSOP - 1.1 mm max height

SMALL OUTLINE PACKAGE



4214862/A 04/2023

NOTES:

PowerPAD is a trademark of Texas Instruments.

1. All linear dimensions are in millimeters. Any dimensions in parenthesis are for reference only. Dimensioning and tolerancing per ASME Y14.5M.
2. This drawing is subject to change without notice.
3. This dimension does not include mold flash, protrusions, or gate burrs. Mold flash, protrusions, or gate burrs shall not exceed 0.15 mm per side.
4. This dimension does not include interlead flash. Interlead flash shall not exceed 0.25 mm per side.
5. Reference JEDEC registration MO-187.

EXAMPLE BOARD LAYOUT

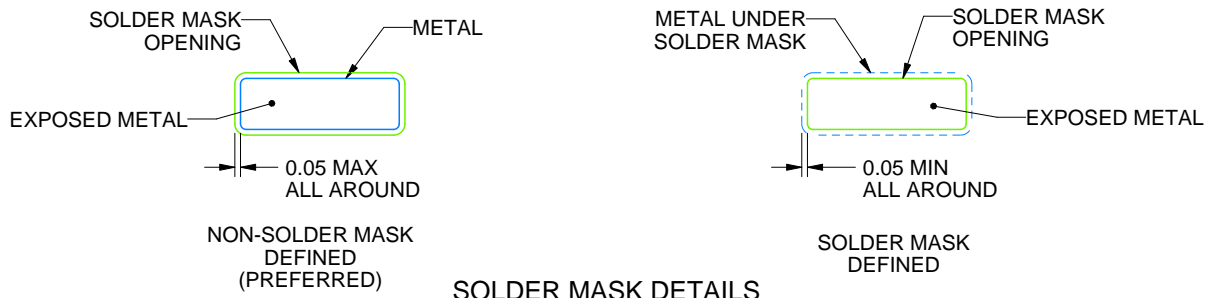
DGK0008A

™ VSSOP - 1.1 mm max height

SMALL OUTLINE PACKAGE



LAND PATTERN EXAMPLE
EXPOSED METAL SHOWN
SCALE: 15X



SOLDER MASK DETAILS

4214862/A 04/2023

NOTES: (continued)

6. Publication IPC-7351 may have alternate designs.
7. Solder mask tolerances between and around signal pads can vary based on board fabrication site.
8. Vias are optional depending on application, refer to device data sheet. If any vias are implemented, refer to their locations shown on this view. It is recommended that vias under paste be filled, plugged or tented.
9. Size of metal pad may vary due to creepage requirement.

EXAMPLE STENCIL DESIGN

DGK0008A

TM VSSOP - 1.1 mm max height

SMALL OUTLINE PACKAGE



SOLDER PASTE EXAMPLE
SCALE: 15X

4214862/A 04/2023

NOTES: (continued)

11. Laser cutting apertures with trapezoidal walls and rounded corners may offer better paste release. IPC-7525 may have alternate design recommendations.
12. Board assembly site may have different recommendations for stencil design.

IMPORTANT NOTICE AND DISCLAIMER

TI PROVIDES TECHNICAL AND RELIABILITY DATA (INCLUDING DATA SHEETS), DESIGN RESOURCES (INCLUDING REFERENCE DESIGNS), APPLICATION OR OTHER DESIGN ADVICE, WEB TOOLS, SAFETY INFORMATION, AND OTHER RESOURCES "AS IS" AND WITH ALL FAULTS, AND DISCLAIMS ALL WARRANTIES, EXPRESS AND IMPLIED, INCLUDING WITHOUT LIMITATION ANY IMPLIED WARRANTIES OF MERCHANTABILITY, FITNESS FOR A PARTICULAR PURPOSE OR NON-INFRINGEMENT OF THIRD PARTY INTELLECTUAL PROPERTY RIGHTS.

These resources are intended for skilled developers designing with TI products. You are solely responsible for (1) selecting the appropriate TI products for your application, (2) designing, validating and testing your application, and (3) ensuring your application meets applicable standards, and any other safety, security, regulatory or other requirements.

These resources are subject to change without notice. TI grants you permission to use these resources only for development of an application that uses the TI products described in the resource. Other reproduction and display of these resources is prohibited. No license is granted to any other TI intellectual property right or to any third party intellectual property right. TI disclaims responsibility for, and you will fully indemnify TI and its representatives against, any claims, damages, costs, losses, and liabilities arising out of your use of these resources.

TI's products are provided subject to [TI's Terms of Sale](#) or other applicable terms available either on [ti.com](https://www.ti.com) or provided in conjunction with such TI products. TI's provision of these resources does not expand or otherwise alter TI's applicable warranties or warranty disclaimers for TI products.

TI objects to and rejects any additional or different terms you may have proposed.

Mailing Address: Texas Instruments, Post Office Box 655303, Dallas, Texas 75265
Copyright © 2024, Texas Instruments Incorporated